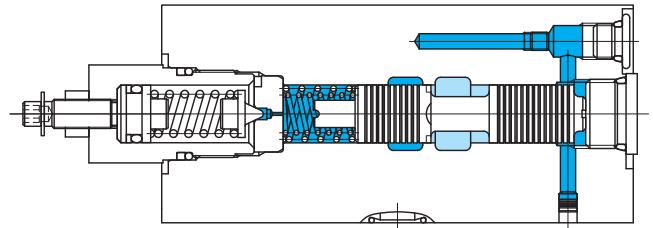
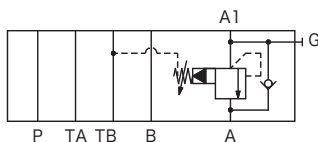


# Pressure sequence/counterbalance valves TGMRC-5, 50 series

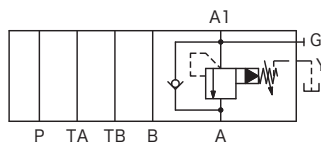


## Functional Symbols

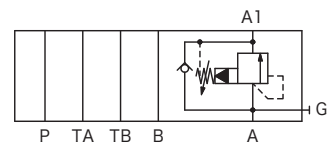
TGMRC-5-AX



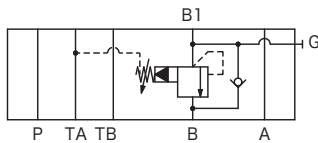
TGMRC-5-AX-\*W-E



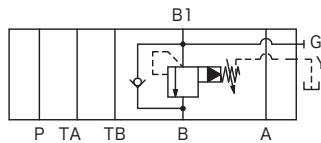
TGMRC-5-AY



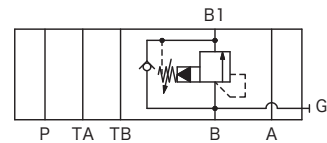
TGMRC-5-BX



TGMRC-5-BX-\*W-E



TGMRC-5-BY



## Model Code

(F3)-TGMRC-5-\*\*-\*\*W-(E)-G-50

1 2 3 4 5 6 7 8 9 10

- 1 Hydraulic fluid  
Omit: mineral oil based fluid, water-glycol based fluid  
F3: phosphate ester
- 2 Sequence, counterbalance valve with check valve
- 3 Mounting dimensions  
5: ISO 4401-05
- 4 Control port  
A: A port  
B: B port
- 5 Control direction  
X: pressure control to actuator (sequence valve)  
Y: pressure control from actuator (counterbalance valve)
- 6 Pressure adjustment range  
A: (0.5)~5 MPa  
B: (0.5)~10 MPa  
F: (0.5)~20 MPa  
G: (0.5)~31.5 MPa  
(The minimum pressure differs depending on the flow. Refer to the characteristics curves.)

- 7 Adjuster  
W: hex socket adjustment screw  
H: knob
- 8 Drain  
Omit: valve internal drain (internal drain)  
E: external drain (excluding counterbalance valve)
- 9 Pipe connection  
For gauge port (G) or external drain port (Y)  
G: G1/8 O-ring seal (applicable to all models)
- 10 Design no.

## Specifications

- Max. Working Pressure: 31.5 MPa
- Max. Flow: 120 L/min

- Max. Pilot Flow (\*1): 500 cm<sup>3</sup>/min
- Max. Leakage (\*2): 200 cm<sup>3</sup>/min

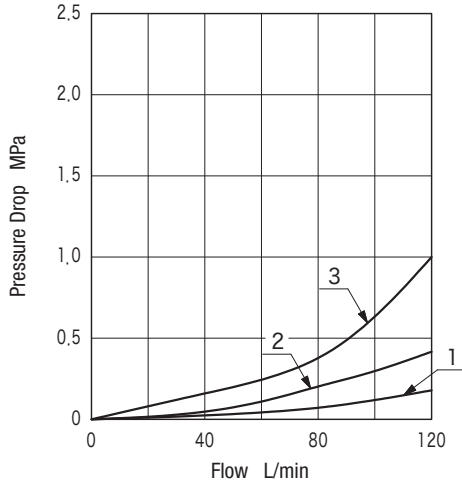
Conditions:

(\*1) Setting pressure 31.5 MPa (20 mm<sup>2</sup>/s, 50°C)

(\*2) Setting pressure 31.5 MPa, primary side pressure 25 MPa (20 mm<sup>2</sup>/s, 50°C)

## Characteristics Curve (at 20 mm<sup>2</sup>/s, 50°C) (typical examples)

### ■ Pressure Drop Characteristics

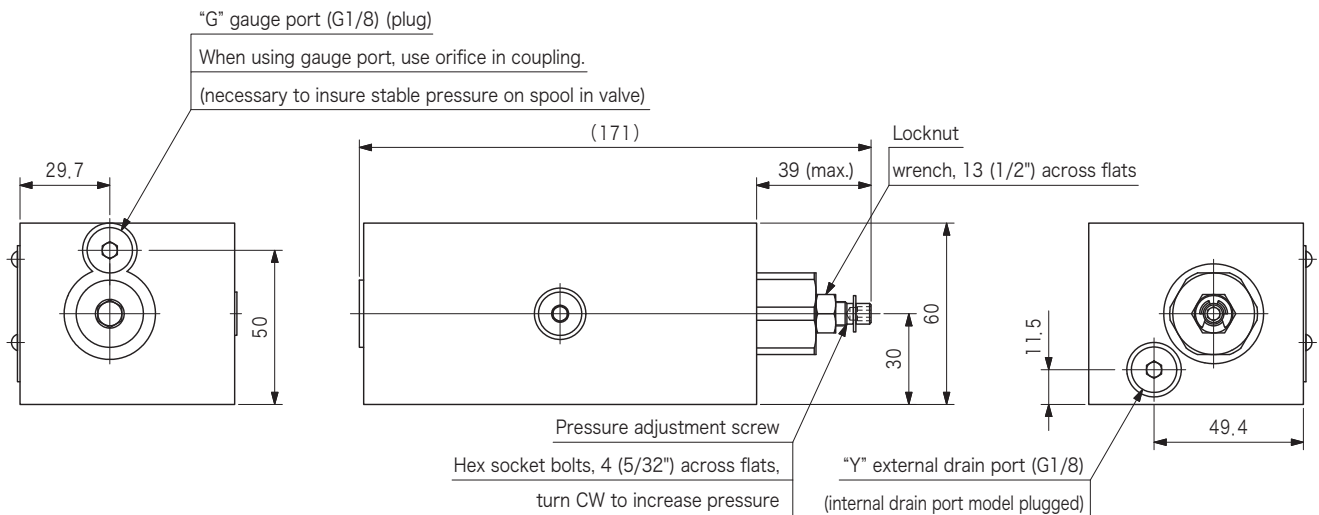
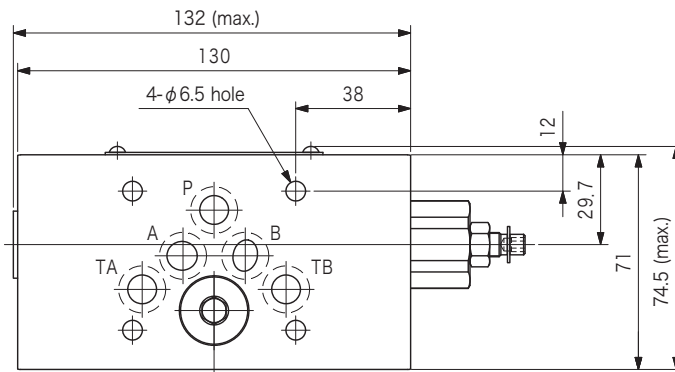


• Curve No.

Model Code	Flow Port			
	P	T	A	B
TGMRC-5-AX TGMRC-5-AY	1	2	—	3
TGMRC-5-BX TGMRC-5-BY	1	2	3	—

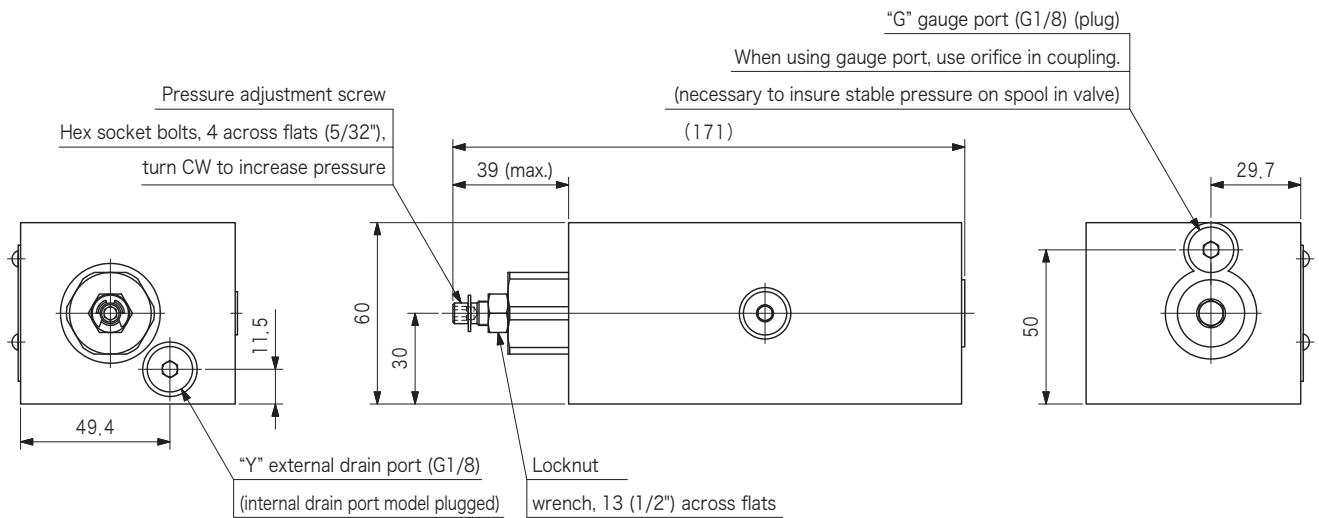
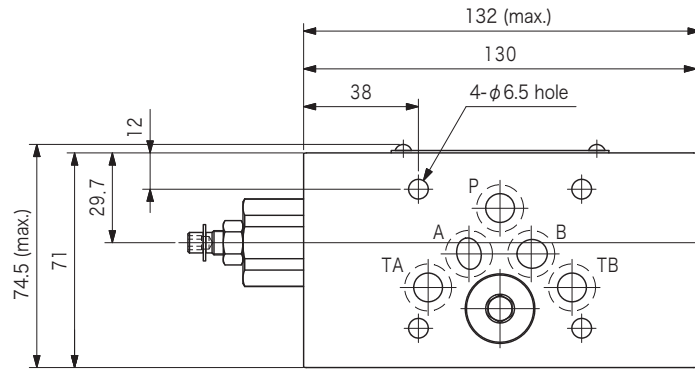
## Dimensions

TGMRC-5-AX-\*W-(E)-G-50 (sequence valve) Weight: 3.5 kg



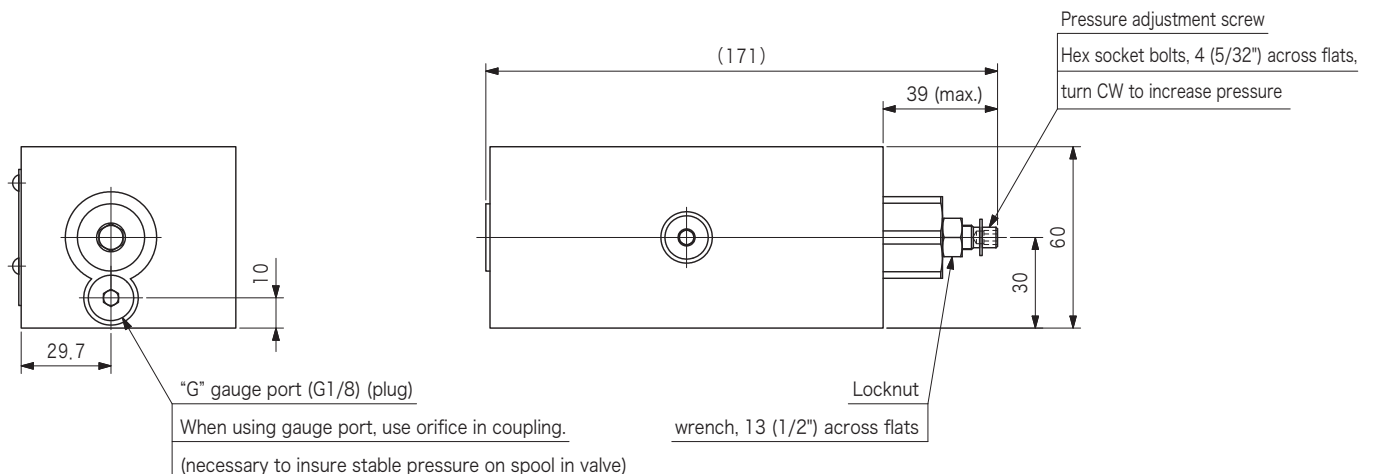
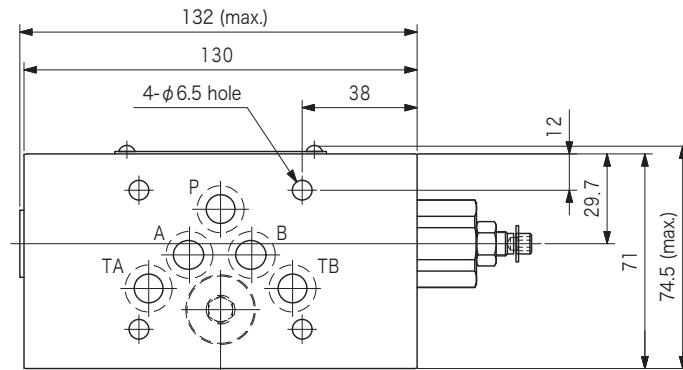
## Dimensions

TGMRC-5-BX-\*W-(E)-G-50 (sequence valve) Weight: 3.5 kg



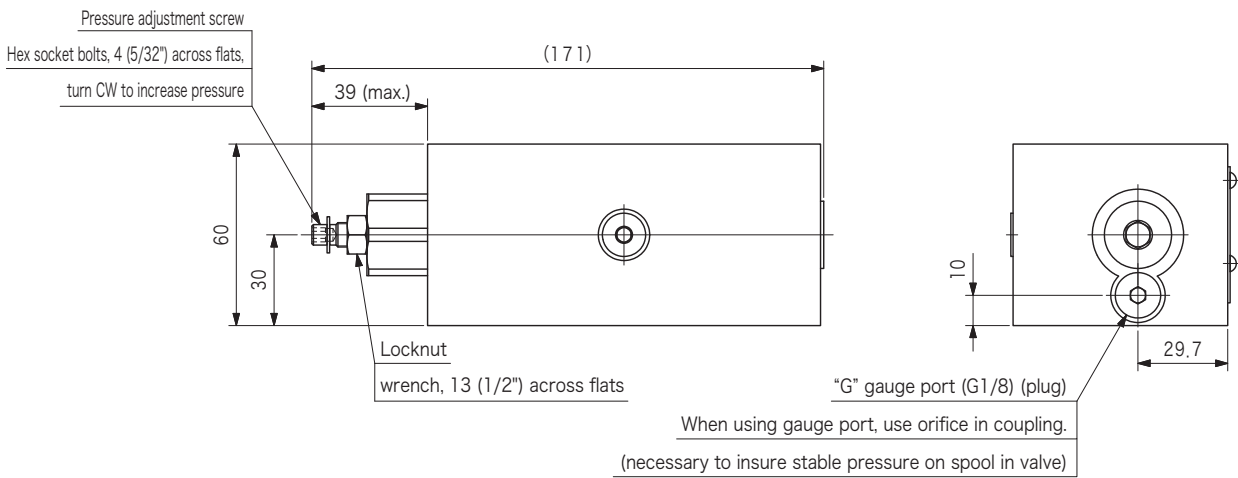
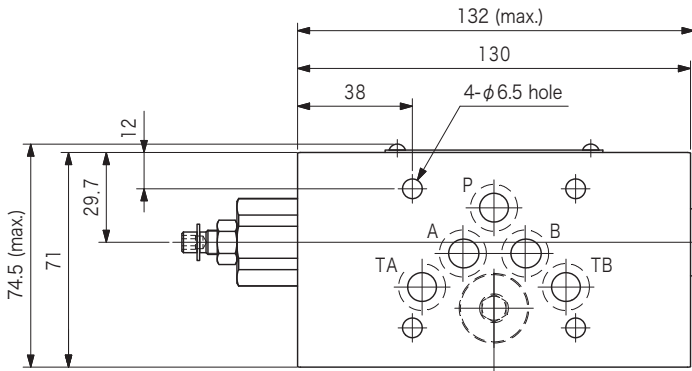
**G**  
27-3  
Stack Valves

TGMRC-5-AY-\*W-G-50 (counterbalance valve) Weight: 3.5 kg



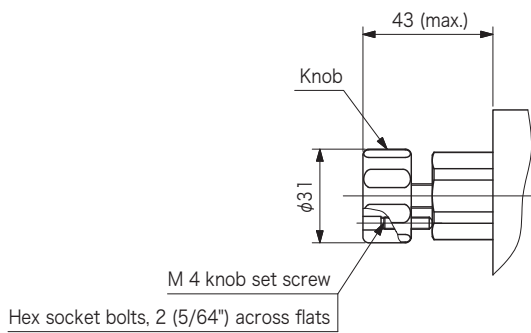
# Dimensions

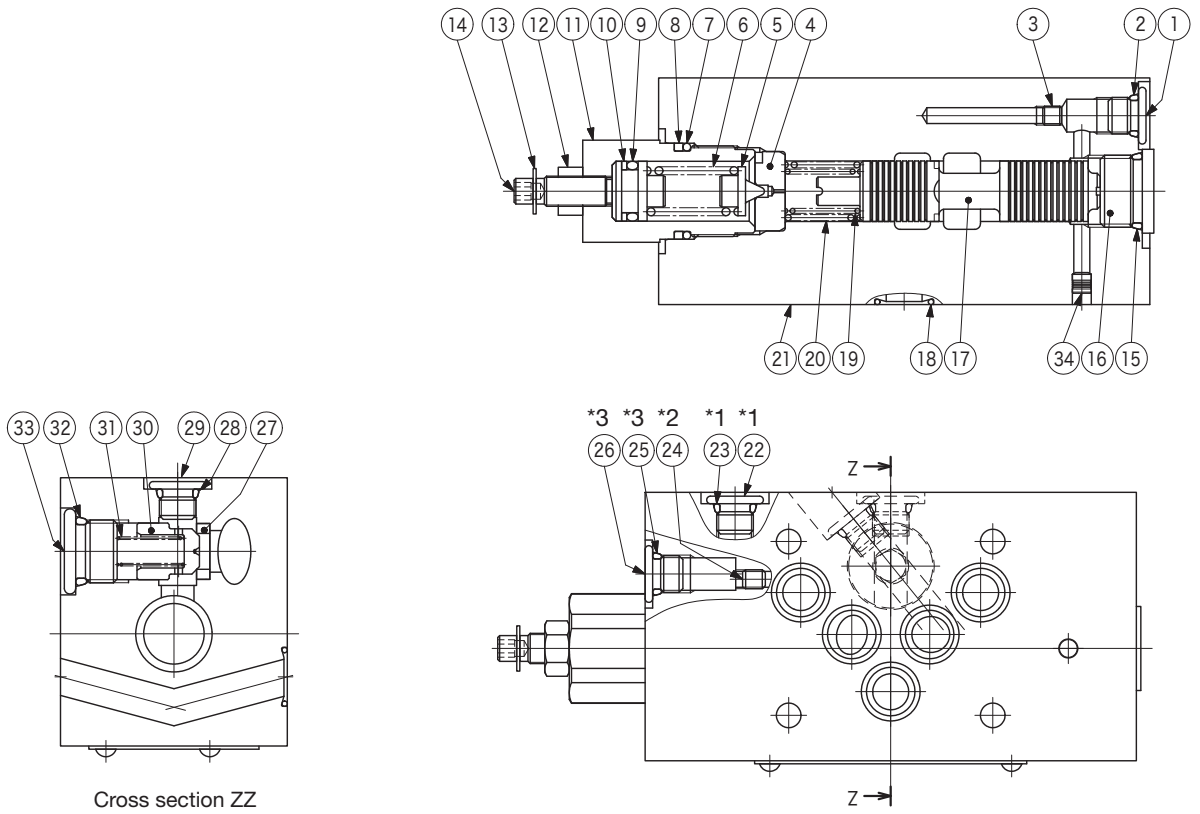
TGMRC-5-BY-\*W-G-50 (counterbalance valve) Weight: 3.5 kg



## Pressure Adjuster

"H" Type Weight: +0.1 kg (compared to W type)





Note: \*1 ②②③ only used in sequence valve (X type).  
 \*2 ④ only used in external drain type (\*X-E) sequence valve.  
 \*3 ⑤⑥ not used in external drain type (\*X-E) sequence or counterbalance valves.

No.	Name	Part No.	Standard	Qty
2	O-ring	008000619	JIS B 2401-1B-P8	1
7	O-ring	007911717	AS568-117 (NBR, Hs70)	1
8	Backup ring	40025061	MS28774-117	1
9	O-ring	007911117	AS568-111 (NBR, Hs70)	1
10	Backup ring	40025057	MS28774-111	1
15	O-ring	007990819	AS568-908 (NBR, Hs90)	1
18	O-ring	007901419	AS568-014 (NBR, Hs90)	5
23	O-ring	008000619	JIS B 2401-1B-P8	1 or 0
25	O-ring	008000619	JIS B 2401-1B-P8	1 or 0
28	O-ring	008000619	JIS B 2401-1B-P8	2
32	O-ring	008001419	JIS B 2401-1B-P14	1

⑥ Spring

Code	Part No.
A	40025063
B	40025064
F	40025065
G	40025066