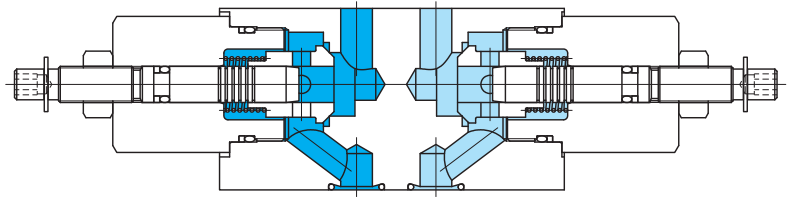
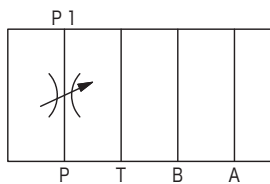


# Restrictor valves TGMFN-3, 50 series

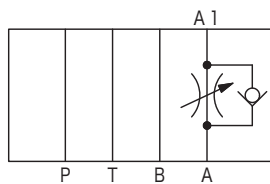


## Functional Symbols

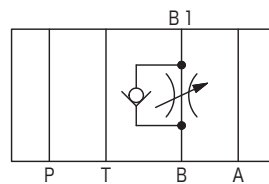
TGMFN-3-Z-P\*W



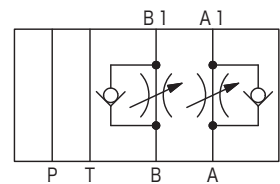
TGMFN-3-X-A\*W



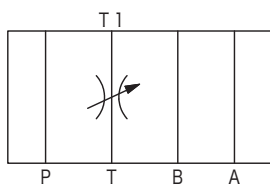
TGMFN-3-X-B\*W



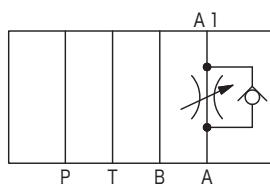
TGMFN-3-X-A\*W-B\*W



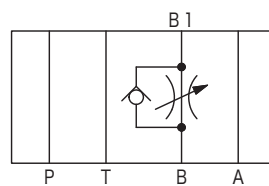
TGMFN-3-Z-T\*W



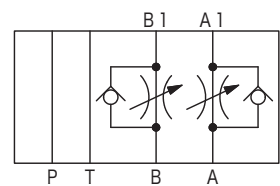
TGMFN-3-Y-A\*W



TGMFN-3-Y-B\*W



TGMFN-3-Y-A\*W-B\*W



## Model Code

(F3)-TGMFN-3-\*-\*2W-(B2W)-50

1 2 3 4 5 6 7 8 9 10 11

- 1 Hydraulic fluid  
Omit: mineral oil based fluid, water-glycol based fluid  
F3: phosphate ester
- 2 Restrictor
- 3 Mounting dimensions  
3: ISO 4401-03
- 4 Control direction (See "Functional Symbols".)  
X: flow control to actuator (meter-in control)  
Y: flow control from actuator (meter-out control)  
Z: meter-in control (P line only) or meter-out control (T line only)
- 5 Control line  
P: P line (for single type)  
T: T line (for single type)  
A: A line  
B: B line (for single type)

- 6 Flow control  
1: fine adjustment  
2: standard
  - 7 Adjuster  
W: hex socket adjustment screw  
H: knob
  - 8 Control line  
B: B line
  - 9 Flow control  
Same as 6
  - 10 Adjuster  
Same as 7
  - 11 Design no.
- } for A, B dual line control (double type)

## Specifications

- Max. Working Pressure: 31.5 MPa
- Max. Flow: 60 L/min

# Characteristics Curve (at 20 mm<sup>2</sup>/s, 50°C) (typical examples)

## ■ Metering Characteristics

Fig. 1: Fine metering type "1"

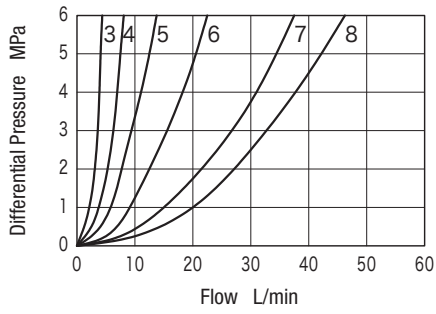
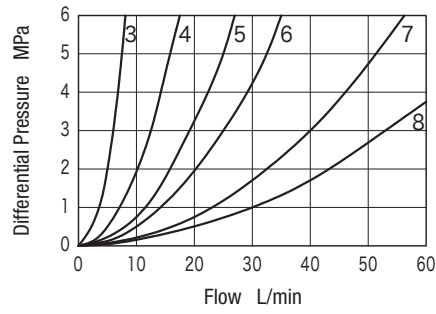
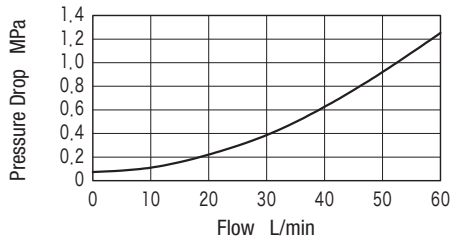


Fig. 2: Standard metering type "2"



## ■ Pressure Drop Characteristics

Fig. 3: In case of free flow direction of internal check valve

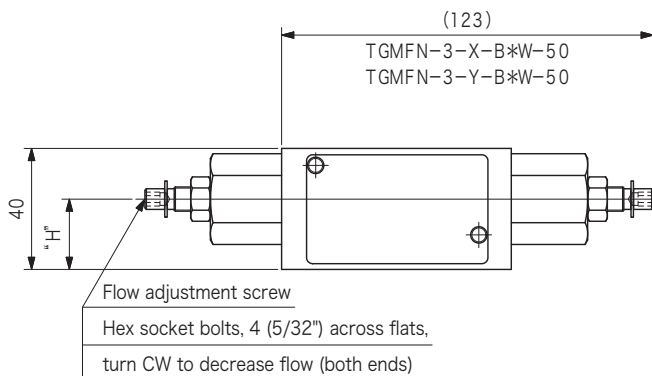
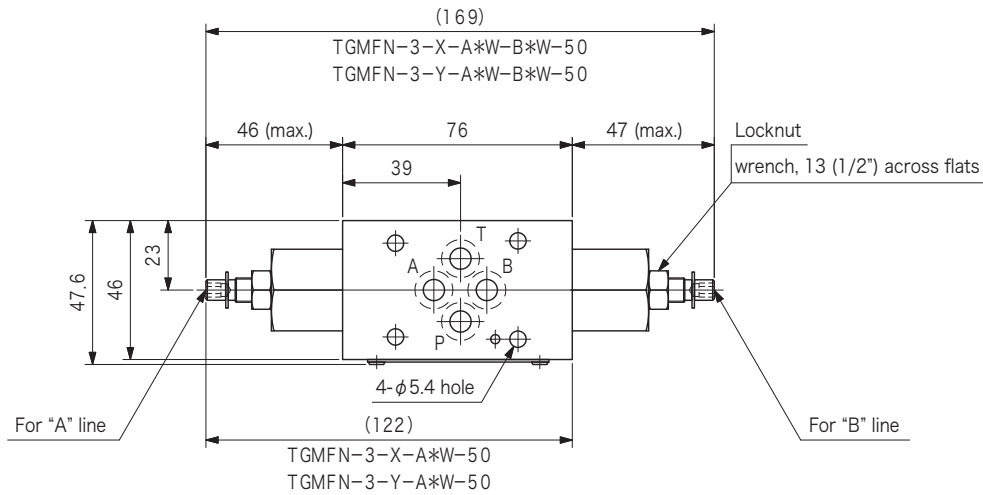


- Values in Fig. 1, 2 show turns of adjustment screw from fully closed position.

## Dimensions

TGMFN-3-\*-\*W-(B\*W)-50 (one-way restrictor)

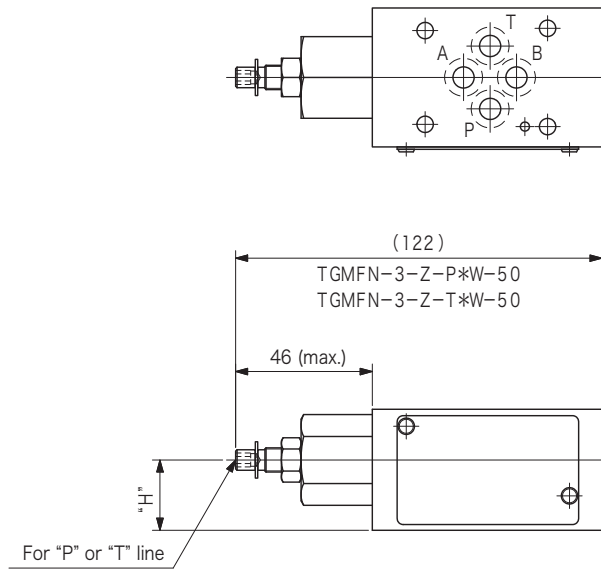
Weight: 1.1 kg



Model Code	"H"
TGMFN-3-X-A*W-50	16.75
TGMFN-3-X-B*W-50	
TGMFN-3-X-A*W-B*W-50	23.25
TGMFN-3-Y-A*W-50	
TGMFN-3-Y-B*W-50	
TGMFN-3-Y-A*W-B*W-50	

## Dimensions

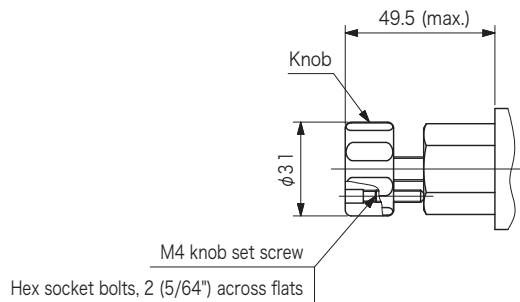
### TGMFN-3-Z-\*\*W-50 (restrictor)



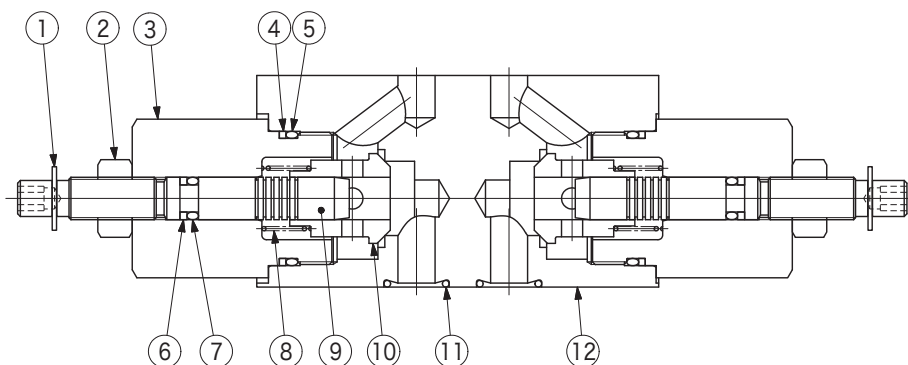
Model Code	"H"
TGMFN-3-Z-P*W-50	16.75
TGMFN-3-Z-T*W-50	23.25

### Flow Adjuster

"H" Type Weight: +0.1 kg (compared to W type)



## Construction



Note: Parts ① ~ ⑩ for one side only for single type.

No.	Name	Part No.	Standard	Qty	
				Single type	Double type
4	Backup ring	40025055	—————	1	2
5	O-ring	007902017	AS568-020 (NBR, Hs70)	1	2
6	Backup ring	40025095	MS28774-008	1	2
7	O-ring	007900817	AS568-008 (NBR, Hs70)	1	2
11	O-ring	007901219	AS568-012 (NBR, Hs90)	4	4