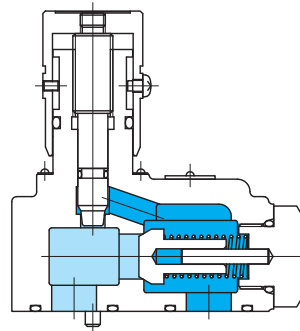
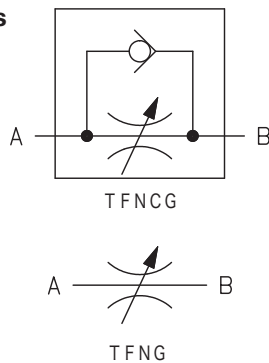


One way restrictors TFN(C)G



• This valve can be used in hydraulic circuits of pressures up to a maximum 31.5 MPa.

Functional Symbols



Model Code

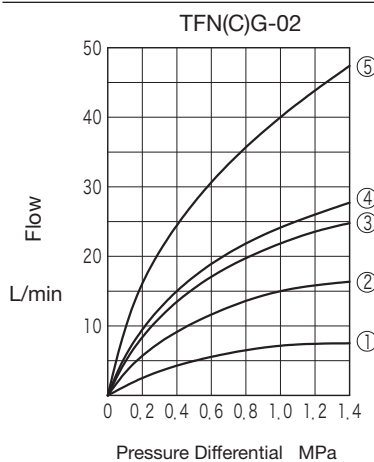
(F3)-TFN(C)G-04-315-20

- | | | | |
|---|---|--------------------------------------|--------------|
| 1 | 2 | 3 | 4 |
| 1 Hydraulic fluid
Omit: mineral oil based fluid, water-glycol based fluid
F3: phosphate ester fluid | 2 One-way restrictor (gasket mounting)
TFNG: restrictor
TFNCG: one-way restrictor | 3 Size
Refer to "Specifications". | 4 Design no. |

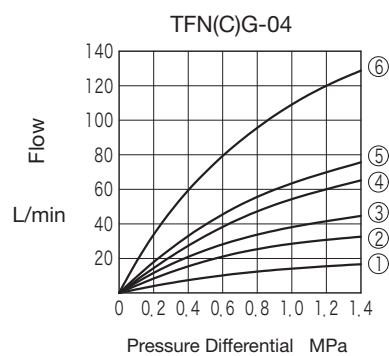
Specifications

Model Code	Size	Working Pressure MPa	Rated Flow L/min	Cracking Pressure in Free Flow Direction MPa	Weight kg
TFNG-02 TFNCG-02	02	31.5	20	0.035 (TFNCG)	0.8
TFNG-04 TFNCG-04	04		55		1.5
TFNG-06 TFNCG-06	06		110		2.8

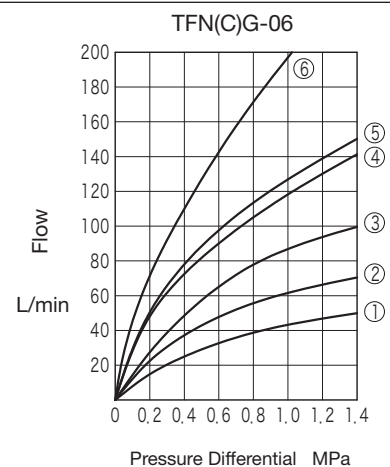
Characteristics Curve (at 20 mm²/s) (typical examples)



- (1) 2 dial turns
- (2) 4 dial turns
- (3) 6 dial turns
- (4) More than 6.5 dial turns
- (5) Free flow over check valve (TFNCG - 02 only)



- (1) 3 dial turns
- (2) 5 dial turns
- (3) 7 dial turns
- (4) 9 dial turns
- (5) More than 10.3 dial turns
- (6) Free flow over check valve (TFNCG - 04 only)



- (1) 3 dial turns
- (2) 7 dial turns
- (3) 9 dial turns
- (4) 13 dial turns
- (5) More than 14 dial turns
- (6) Free flow over check valve (TFNCG - 06 only)

Notes on Operation

- Turning the flow adjustment dial clockwise will reduce flow and counterclockwise will increase flow.

Subplate

There is no subplate for this valve. Mount on manifold block for application.

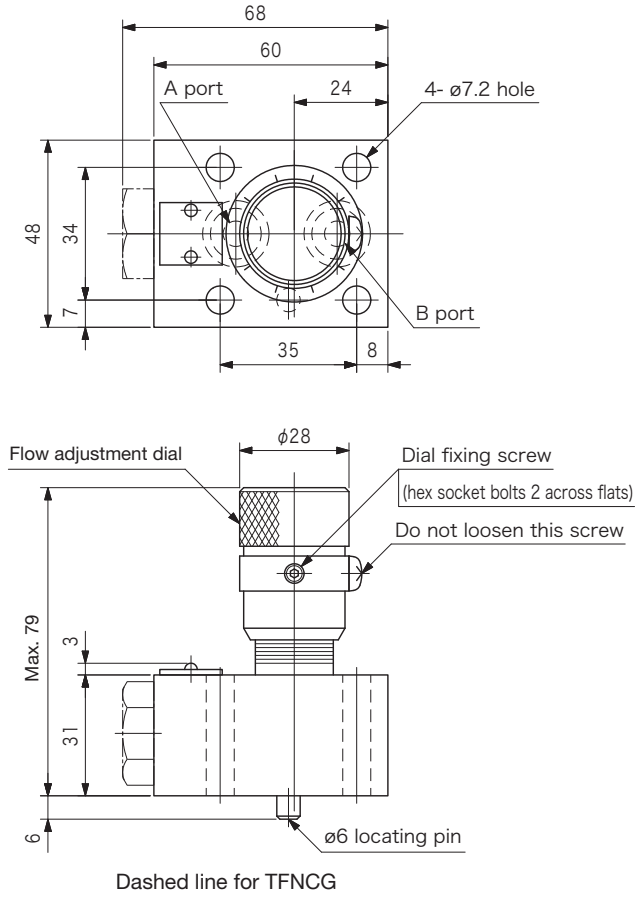
Mounting Bolts (JIS B 1176, Strength Class 12.9)

Valve Model	Hex Socket Bolts	Qty
TFN (C) G-02	M6 × 40	4
TFN (C) G-04	M8 × 55	4
TFN (C) G-06	M10 × 60	6

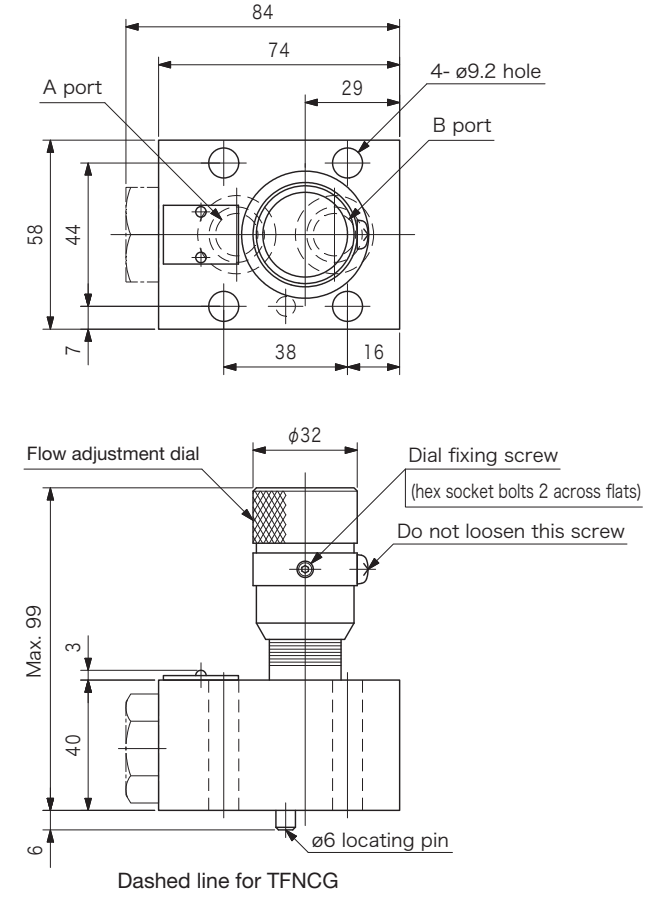
- Mounting bolts must be ordered separately.
- Tightening torque of mounting bolts
 TFN (C) G-02: 12 to 15 N·m
 TFN (C) G-04: 27 to 33 N·m
 TFN (C) G-06: 54 to 66 N·m

Dimensions

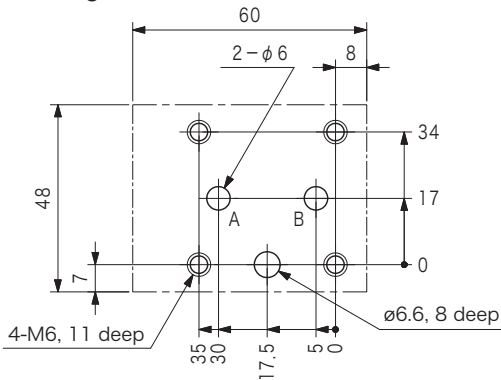
TFN(C)G-02



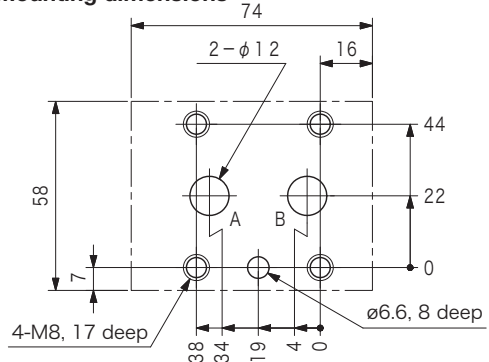
TFN(C)G-04



●Mounting dimensions

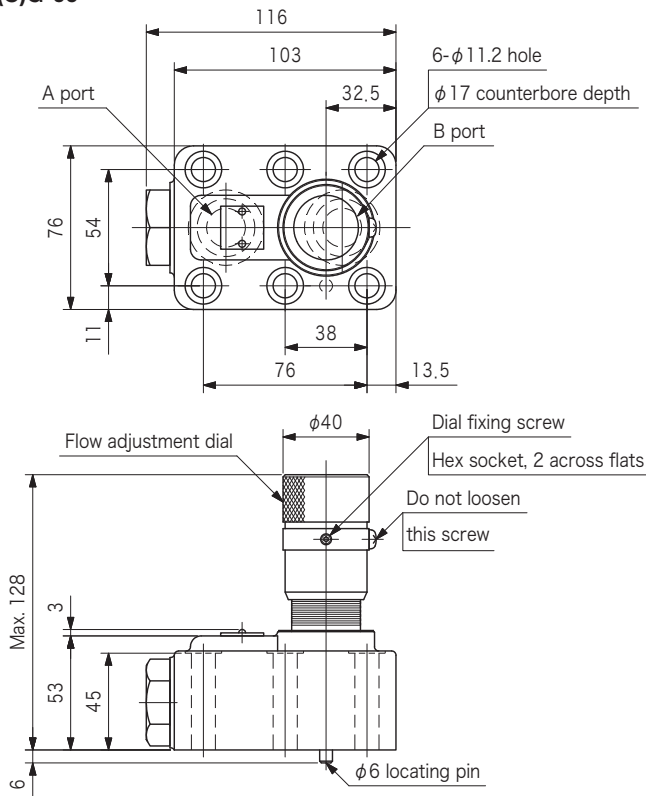


●Mounting dimensions

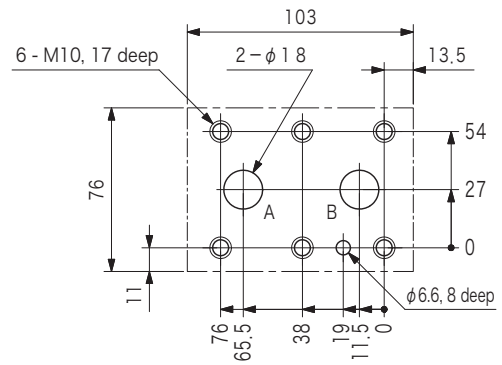


Dimensions

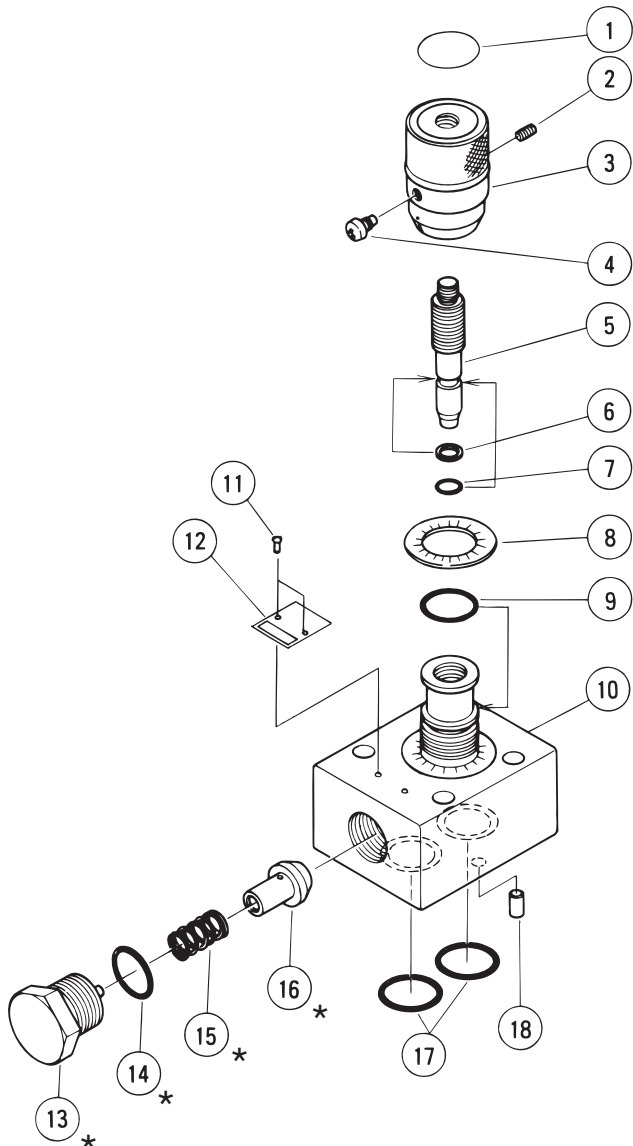
TFN(C)G-06



●Mounting dimensions



Construction



(6) Backup ring

Model Code	Part No.	Standard	Qty
TFN (C) G-02	008100202	JIS B 2407 T2-P4	1
TFN (C) G-04	008100502	JIS B 2407 T2-P7	1
TFN (C) G-06	008100702	JIS B 2407 T2-P9	1

O-ring

Model Code	No.	Part No.	Standard	Qty
TFN (C) G-02	7	008000217	JIS B 2401 1A-P4	1
	9	008001617	JIS B 2401 1A-P16	1
	14	008001419	JIS B 2401 1B-P14	1
TFN (C) G-04	17	008001419	JIS B 2401 1B-P14	2
	7	008000517	JIS B 2401 1A-P7	1
	9	008001717	JIS B 2401 1A-P18	1
TFN (C) G-06	14	008001719	JIS B 2401 1B-P18	1
	17	008001819	JIS B 2401 1B-P20	2
	7	008000717	JIS B 2401 1A-P9	1
TFN (C) G-06	9	008002617	JIS B 2401 1A-P26	1
	14	008002319	JIS B 2401 1B-P24	1
	17	008050219	JIS B 2401 1B-G30	2

* Size 02, 04: (13) to (16) for TFNCG only
 Size 06: (15), (16) for TFNCG only