

# EP series proportional valve controllers P-X/Z



## Model Code

### P-X-20

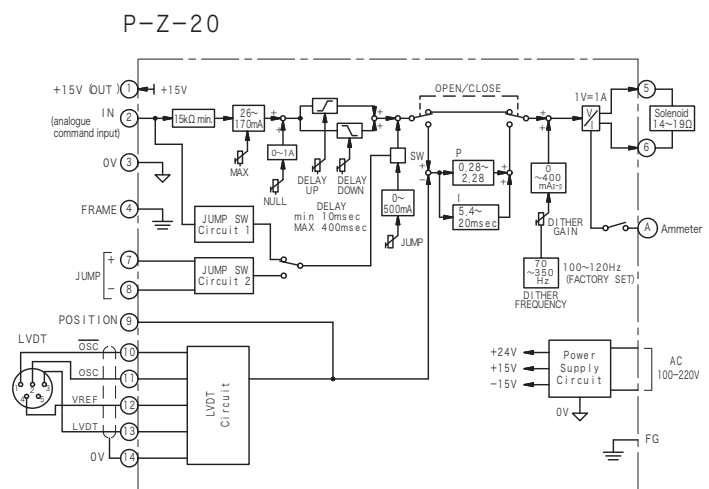
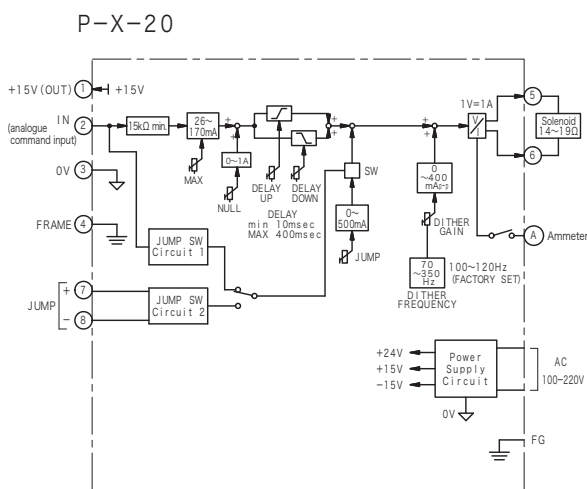
1 2 3

- 1 EP series proportional valve controller
- 2 Position sensor drive/minor feedback circuit  
X: not provided (open loop control)  
Z: provided (closed loop control)
- 3 Design no.

## Specifications

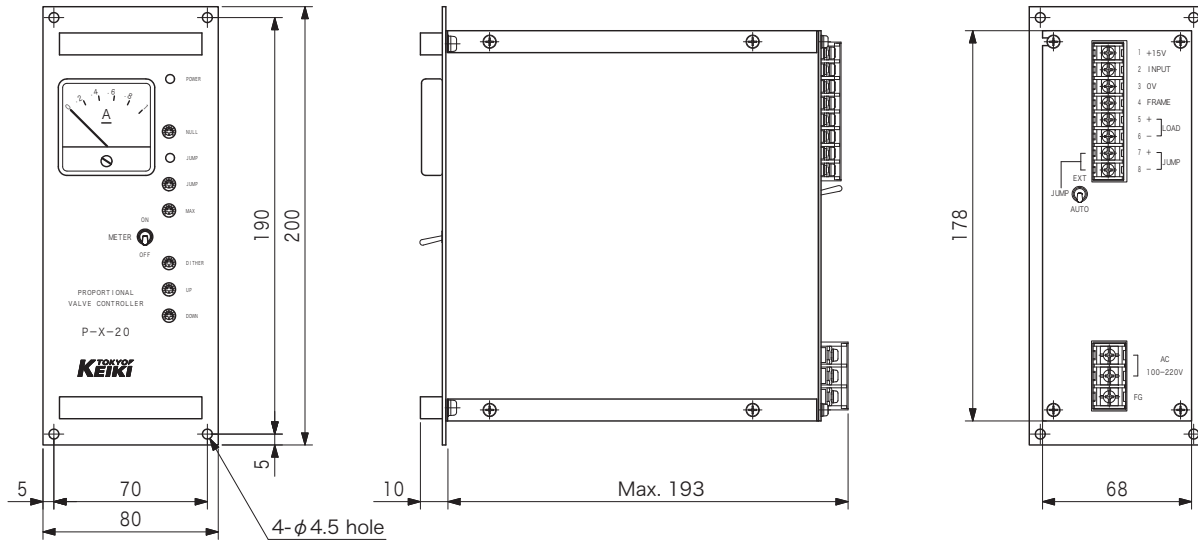
Power requirements	AC100~220 V 50/60 Hz
Maximum power consumption	30 VA (at output 1 A)
Input signal voltage	DC0~10 V
Input impedance	27 k $\Omega$ (at input 10 V, output 1 A)
Output current	0~1 A
Applicable load resistance	14~19 $\Omega$
Dither frequency	100~120 Hz (adjusted at shipment)
Dither current	0~400 mA (P-P)
Working temperature range	0~50°C
Storage temperature range	-10~+75°C
Relative humidity	30~90%

## Block Diagram



# Dimensions

P-X-20



P-Z-20

