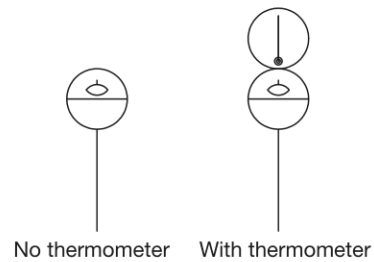


# Fluid-level indicators with thermometer OLGT



## Functional Symbol



## Model Code

**OLGT2-100**

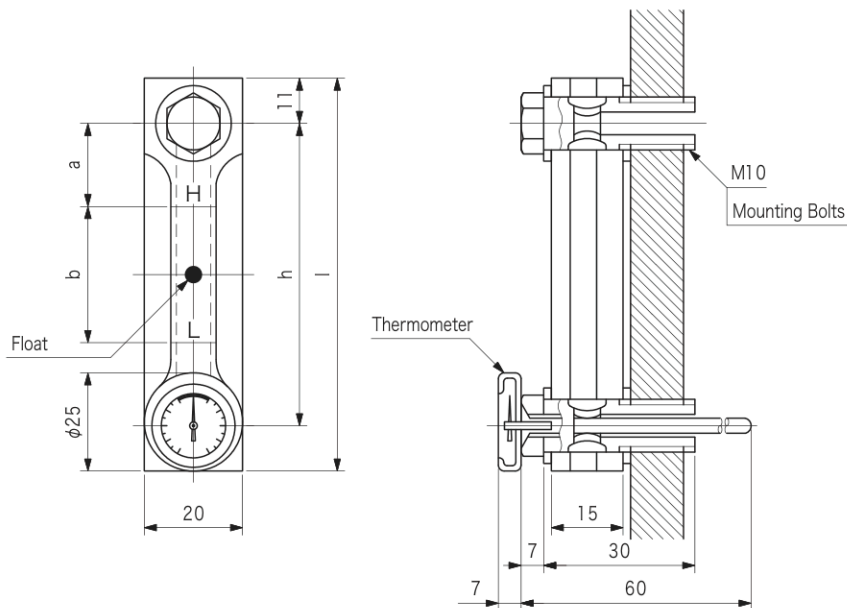
1 2 3

- 1 Oil level indicator  
OLG: No thermometer  
OLGT: With thermometer
- 2 Indicator marks  
1: 1 (H position only)  
2: 2 (H and L positions)
- 3 Mounting bolt center distance  
100: 100 mm  
200: 200 mm

## Specifications

Material: Acrylic resin  
Endurance temperature: 85°C  
Temperature scale: 0°C ~ +100°C  
Mounting bolt tightening torque: 17 ~ 19N·m

## Dimensions



Dimensions table

Model Code	l	h	a	b
OLG (T) 1-100	122	100	20	—
OLG (T) 1-200	222	200	30	—
OLG (T) 2-100	122	100	20	40
OLG (T) 2-200	222	200	30	60

TOKYO KEIKI INC.

# Subplates

## Valve - Subplate Cross-Reference

Valve Model	Subplate Model	Connection Port Diameter Rc	Mounting Bolt Size	Dimensions Page	
Pressure Control Valves	TCG** *-03	TCGMT-03-10-JA-J	3/8	1/2-13UNC	R6-2
	TCG** *-06	CGM-06-10-JA-J	3/4	5/8-11UNC	R6-2
	TCG** *-10	CGM-10-10-JA-J	1-1/4	3/4-10UNC	R6-2
	CG-03	CGMT-03-10-JA-J	3/8	1/2-13UNC	R6-2
	CGR-02	CGRM-02-20-J	1/4	M10	R6-2
	URG1/2-06	URGM-06-10-JA-J	3/4	5/8-11UNC	R6-3
	URG1/2-10	URGM-10-10-JA-J	1-1/4	3/4-10UNC	R6-3
	RG-3F	See Stack valves, Flui-trol series			
	XG-3F	See Stack valves, Flui-trol series			
	R (C) G-03	RXGM-03- (P) -20-JA-J	3/8	3/8-16UNC	R6-3
	X (C) G-03	RXGM-03X- (P) -20-JA-J	1/2		
	R (C) G-06	RXGM-06- (P) -20-JA-J	3/4	3/8-16UNC	R6-3
	X (C) G-06	RXGM-06X- (P) -20-JA-J	1		
	R (C) G-10	RXGM-10- (P) -20-JA-J	1-1/4	3/8-16UNC	R6-3
X (C) G-10	RXGM-10X- (P) -20-JA-J	1-1/2			
XGL-03	XGLM-03-10-JA-J	3/8	5/16-18UNC	R6-4	
BLG-3	See Stack valves, TGM-3 series				
Flow Control Valves	FN (1) G	See Stack valves, Flui-trol series			
	LFCG-02	FGM-02-20-JA-J	3/8	5/16-18UNC	R6-4
	FCG-02	FGM-02-21-JA-J	3/8	5/16-18UNC	R6-4
		FGM-02X-21-JA-J	1/2		
	F (C) G-03	FGM-03-21-JA-J	3/8	3/8-16UNC	R6-4
		FGM-03Y-21-JA-J	3/4		
	FGM-03Z-21-JA-J	1			
Directional Control Valves	DG4M4 DG1/2M2	See Stack valves, Flui-trol series			
	DG4V (*) -3 DG4SM-3 COM-3 DG20S-3	See Stack valves, TGM-3 series			
	DG4V (*) -5 DG2S4-01	See Stack valves, TGM-5 series			
	DG3V-7 DG5V-7 COM-7 DG17V-7	DGSMV-04- (D) -10	1/2	M10	R6-5
		DGSMV-04X- (D) -10	3/4	M6	
	DG3V-H8 DG5V-H8 COM-8	See Stack valves 06 series			
	DG3S-10 DG5S-10	DGSM-10- (D) -11-JA-M	1-1/4	M20	R6-5
		DGSM-10X- (D) -11-JA-M	1-1/2		
		DGSM-10Y- (D) -11-JA-M	2		
	Check Valves	C2G-805	C2GM-800-JA-10-J	1/4	5/16-18UNC
C2GM-805-JA-10-J			3/8		
C5G-815		C4GM-815-JA-J	3/4	5/8-11UNC	R6-4
C5G-825		C5GM-825-JA-J	1-1/4	3/4-10UNC	R6-4
4CG-03		RXGM-03-20-JA-J	3/8	3/8-16UNC	R6-3
		RXGM-03X-20-JA-J	1/2		
4CG-06		RXGM-06-20-JA-J	3/4	3/8-16UNC	R6-3
		RXGM-06X-20-JA-J	1		
4CG-10		RXGM-10-20-JA-J	1-1/4	3/8-16UNC	R6-3
		RXGM-10X-20-JA-J	1-1/2		
CVSH-3	See Stack valves, TGM-3 series				

Valve Model	Subplate Model	Connection Port Diameter Rc	Mounting Bolt Size	Dimensions Page			
Stack Valves	Flui-Trol series	Rear port	DGM-02-JA-20-B-J	1/4	1/4-20UNC	R6-6	
			DGM-03-JA-20-B-J	3/8			
		Side port	DGM-02-JA-20-R-J	1/4	M6		R6-6
			DGM-03-JA-20-R-J	3/8			
			DGME-02-JA-20-B-J	1/4			
			DGME-03-JA-20-B-J	3/8			
	TGM-3 series	Multi-station	DGME-02-JA-20-R-J	1/4	1/4-20UNC	R6-6	
			DGME-03-JA-20-R-J	3/8			
			DGME-03-JA-20-R-J	3/8			
		Side Rear	DGME* -02-JA-20-B-J	1/4, 3/8	M6		R6-6
			DGME* -03-JA-20-B-J	3/8, 1/2			
			DGME* -02-JA-20-R-J	1/4, 3/8			
	TGM-5 series	Multi-station	DGME* -03-JA-20-R-J	3/8, 1/2	M6	R6-7	
			DGME* -03-JA-20-R-J	3/8, 1/2			
DGME* -03-JA-20-R-J			3/8, 1/2				
Bottom piping		DGVM-3-10-T-JA-J	3/8	M5	R6-6		
		DGMS-3-1E-10-T-JA-J	3/8	M5			
		DGMS-3-*E (X) -10-T-JA-J	3/8	M5			
TGM-7 series	Rear	DGMS-3-*E-10-T-JA-S2-J	3/8, 1/2	M5	R6-7		
		TGMS-3-*E-20-T-J	3/8	M5			
		DGSMV-04-10	1/2	M10		R6-5	
DGSMV-04X-10	3/4	M6					
EPCG2-01	See Stack valves, TGM-3 series						
EPCG2-03	TCGMT-03-10-JA-J	3/8	1/2-13UNC	R6-2			
EPCG2-06	CGM-06-10-JA-J	3/4	5/8-11UNC	R6-2			
EPCG2-10	CGM-10-10-JA-J	1-1/4	3/4-10UNC	R6-2			
EPFG-01	See Stack valves, TGM-3 series						
Proportional Control Solenoid Valves	EPFG-03	EPFGM-03Y-20	3/4	3/8-16UNC	R6-8		
		EPFGM-03Z-20	1				
	EPFG-06	EPFGM-06X-20	1	5/8-11UNC	R6-8		
		EPFGM-06Y-20	1-1/4				
	EPFG-10	EPFGM-06Z-20	1-1/2	3/4-10UNC	R6-8		
		TFGTM-10X-10	1-1/2				
		TFGTM-10Y-10	2				
	EPFRG-02	D-FRGM-02-10	3/4	M10	R6-9		
	EPFRG-03	D-FRGM-03-10	1-1/4	M12	R6-9		
	EPFRG-06	D-FRGM-06-10	1-1/2	M20	R6-9		
EPMX2-3	See Stack valves, TGM-3 series						
EPMX2-5	See Stack valves, TGM-5 series						
EPDG1-3	See Stack valves, TGM-3 series						
Digital Valves	D-CG-02	See Stack valves, TGM-3 series					
	D-CG-03	TCGMT-03-10-JA-J	3/8	1/2-13UNC	R6-2		
	D-CG-06	CGM-06-10-JA-J	3/4	5/8-11UNC	R6-2		
	D-CG-10	CGM-10-10-JA-J	1-1/4	3/4-10UNC	R6-2		
	D-FG-01	See Stack valves, TGM-3 series					
	D-F (R) G-02	D-FRGM-02-10	3/4	M10	R6-9		
	D-F (R) G-03	D-FRGM-03-10	1-1/4	M12	R6-9		
D-F (R) G-06	D-FRGM-06-10	1-1/2	M20	R6-9			

## Valve - Subplate Cross-Reference

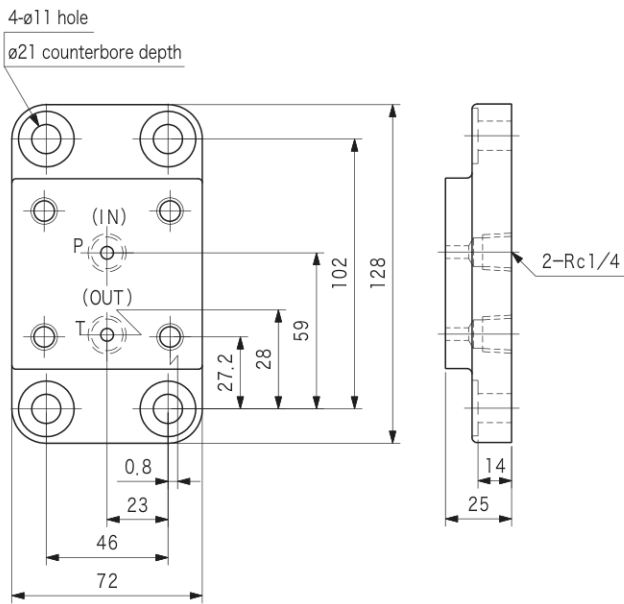
Valve Model	Subplate Model	Connection Port Diameter Rc	Mounting Bolt Size	Dimensions Page
D-DFG-01	See Stack valves, TGM-3 series			
D-DF (R) G-03	DEFGM-03X-10	1/2	M6	R6-9
D-DF (R) G-04	DEFGM-04X-10	3/4	M10, M6	R6-9
D-DFG-06	DEFGM-06X-11	1	M12	R6-9
D-DFG-10	DEFGM-10X-11	1-1/2	M20	R6-10
Pressure Switch SG1-02	SG1SM-02-10-JA-J	1/4	1/4-20UNC	R6-10

- Hex socket mounting bolts included with subplate. (excluding following subplate models)  
 DGM-02/03-JA-20-B/R-J  
 DGME-02/03-JA-20-B/R-J  
 DGME\*-02/03-JA-20-B/R-J  
 DGMS-3-1E-10-T-JA-J  
 DGVM-3-10-T-JA-J  
 TGMS-3-\*E-20-T-J  
 TGMS-5-\*E-10-T-J

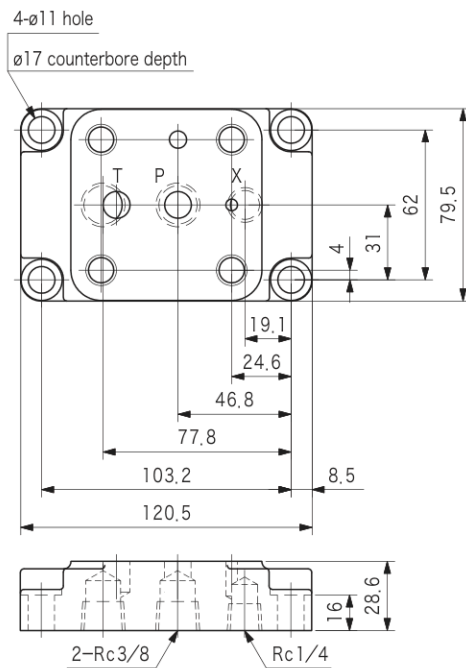
## Dimensions

- Dimensions refer to rear porting positions. See dimensions of each valve for mounting interface dimensions.
- Indicators in ( ) refer to port codes cast in subplate.

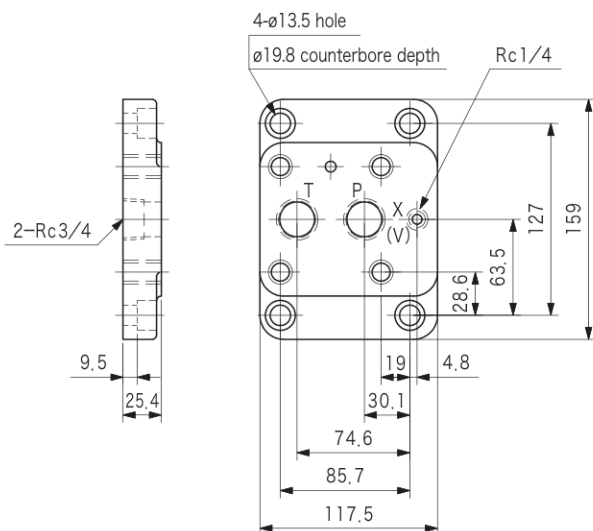
### ● CGRM-02-20-J



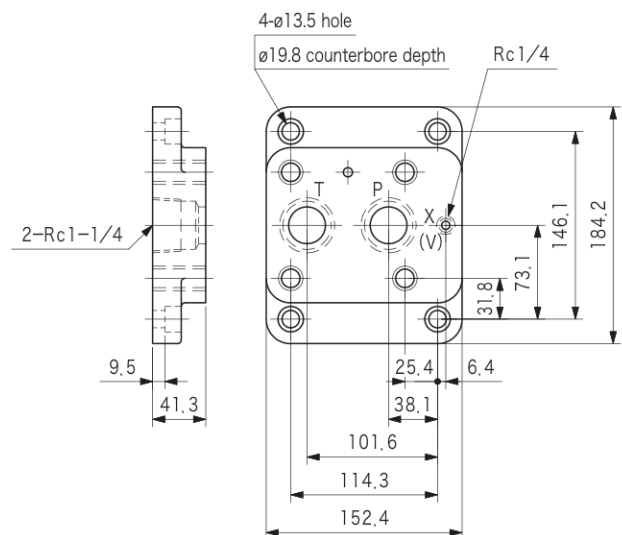
### ● CGMT-03-10-JA-J ● TCGMT-03-10-JA-J



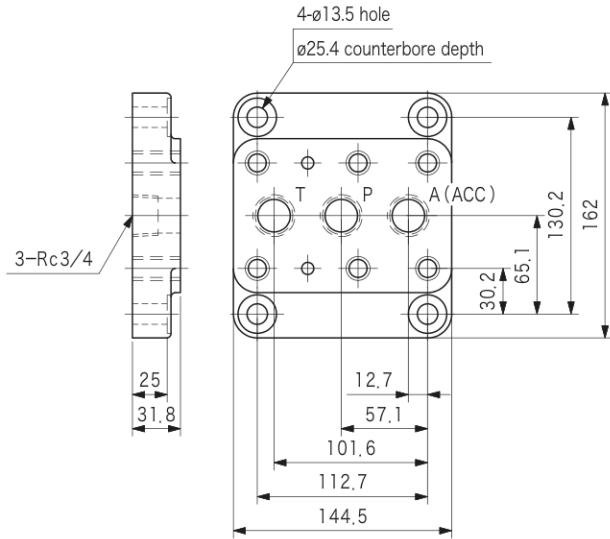
### ● CGM-06-10-JA-J



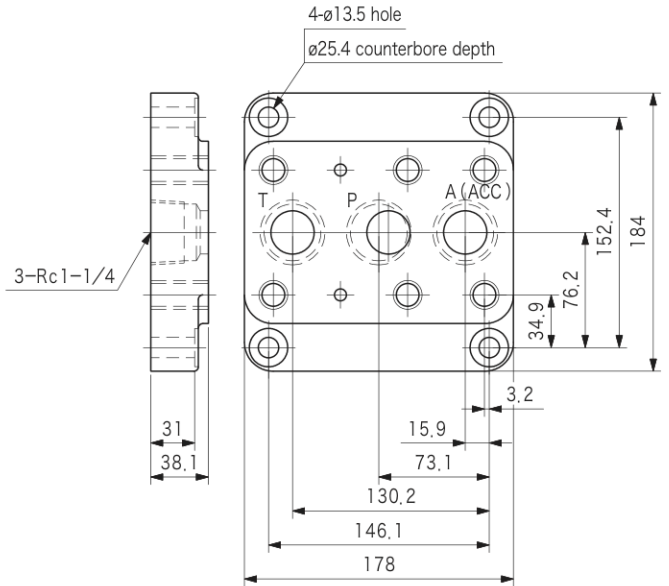
### ● CGM-10-10-JA-J



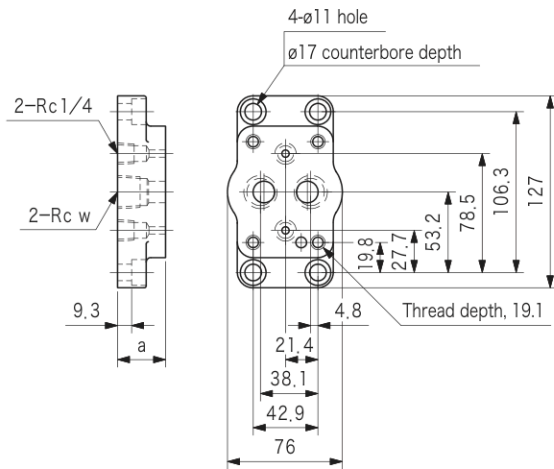
● URG1M-06-10-JA-J



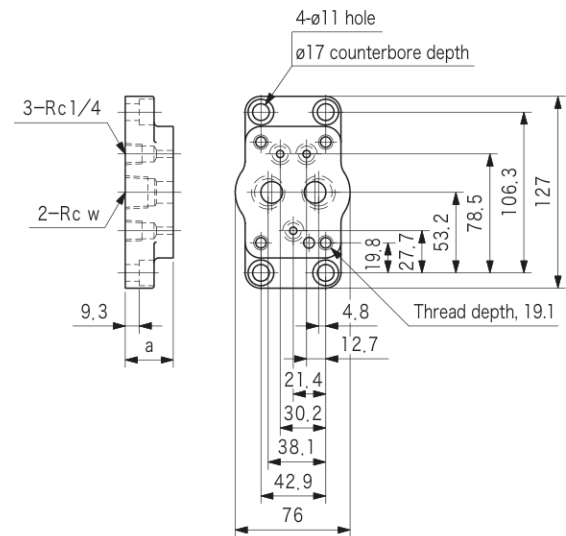
● URG1M-10-10-JA-J



● RXGM-03(X)-20-JA-J



● RXGM-03(X)-P-20-JA-J



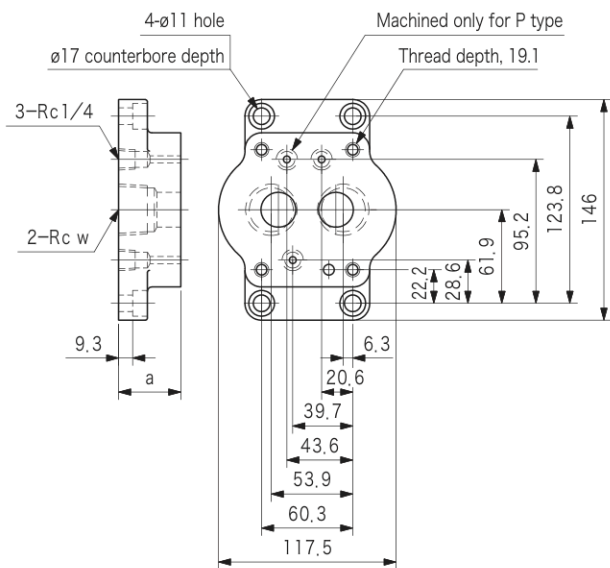
Dimensions table

Model Code	w	a
RXGM-03-20-JA-J	3/8	25.4
RXGM-03X-20-JA-J	1/2	31.8

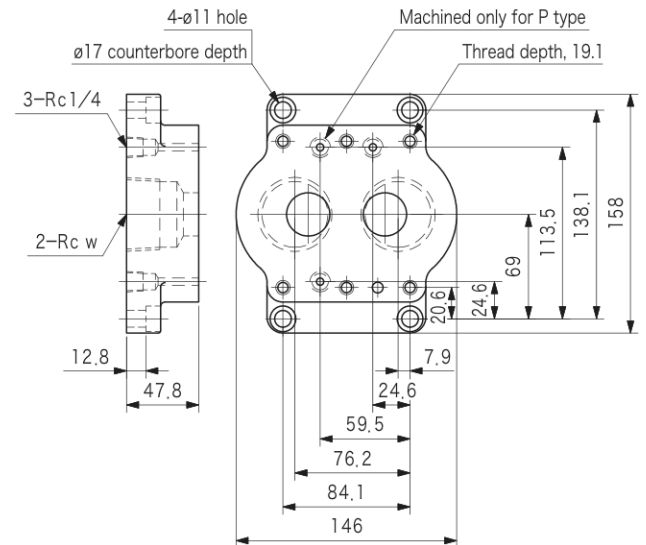
Dimensions table

Model Code	w	a
RXGM-03-P-20-JA-J	3/8	25.4
RXGM-03X-P-20-JA-J	1/2	31.8

● RXGM-06(X)-(P)-20-JA-J



● RXGM-10(X)-(P)-20-JA-J



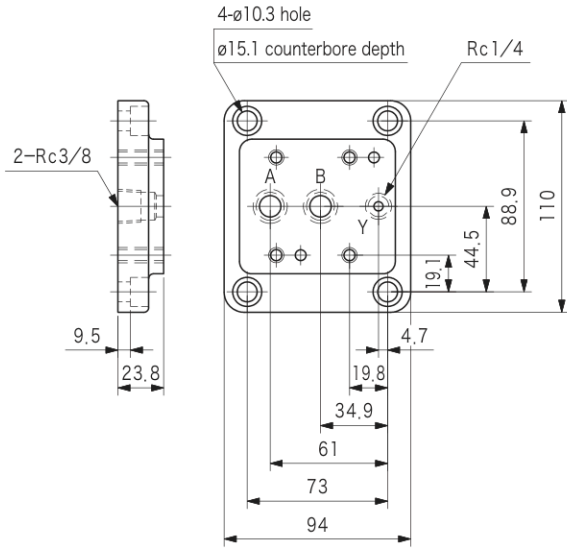
Dimensions table

Model Code	w	a
RXGM-06-(P)-20-JA-J	3/4	31.8
RXGM-06X-(P)-20-JA-J	1	41.1

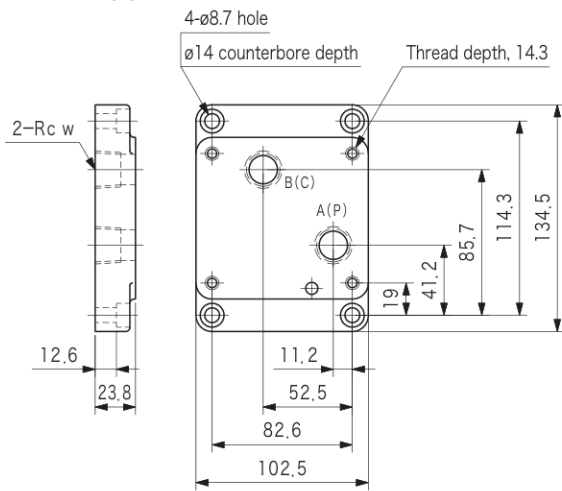
Dimensions table

Model Code	w
RXGM-10-(P)-20-JA-J	1-1/4
RXGM-10X-(P)-20-JA-J	1-1/2

● XGLM-03-10-JA-J



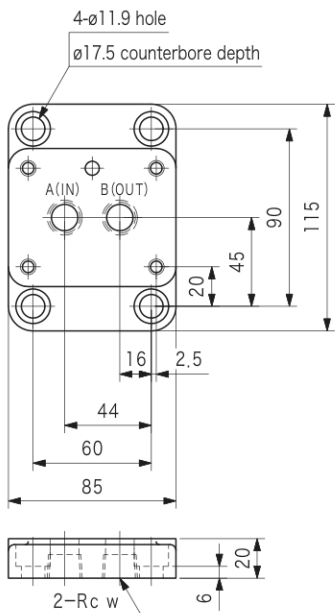
● FGM-02(X)-20/21-JA-J



Dimensions table

Model Code	w
FGM-02-20/21-JA-J	3/8
FGM-02X-20/21-JA-J	1/2

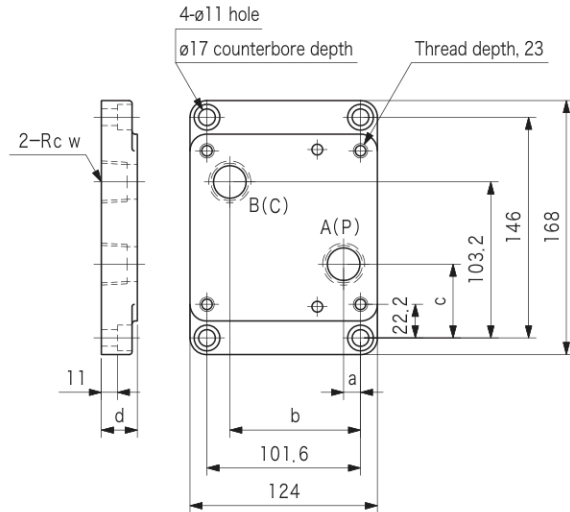
● C2GM-800/805-JA-10-J



Dimensions table

Model Code	w
C2GM-800-JA-10-J	1/4
C2GM-805-JA-10-J	3/8

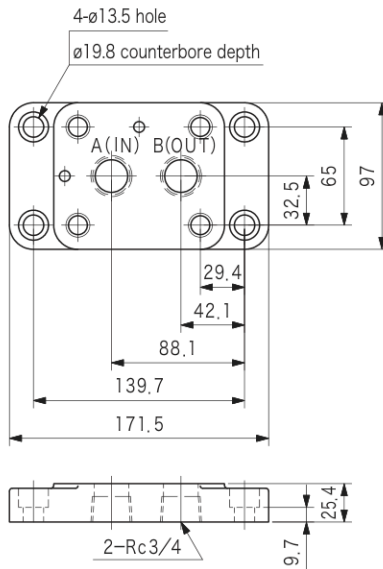
● FGM-03(Y/Z)-21-JA-J



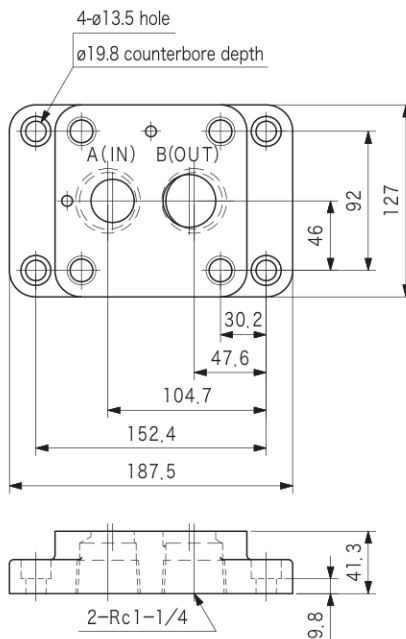
Dimensions table

Model Code	w	a	b	c	d
FGM-03-21-JA-J	3/8	12.7	88.9	52.4	23.8
FGM-03Y-21-JA-J	3/4	11.1	86.5	48.8	23.8
FGM-03Z-21-JA-J	1	17.5	80.2	48.8	38.1

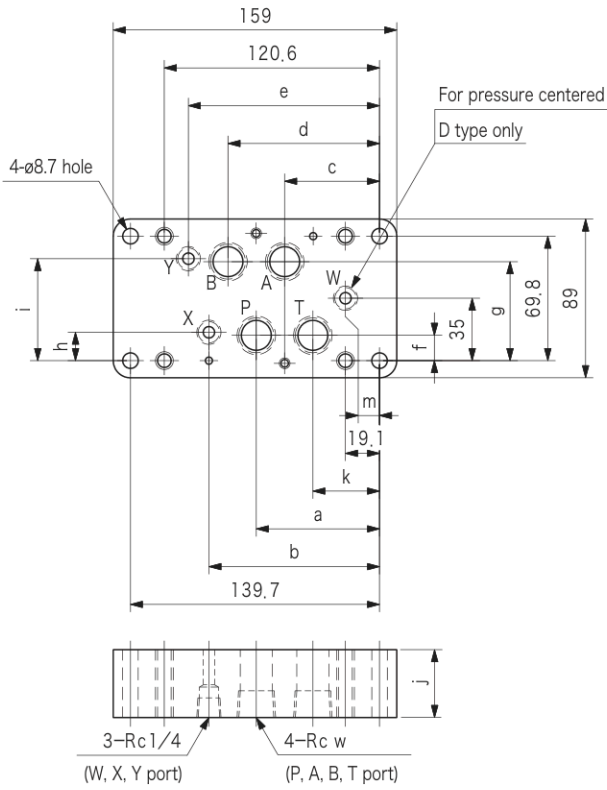
● C4GM-815-JA-J



● C5GM-825-JA-J



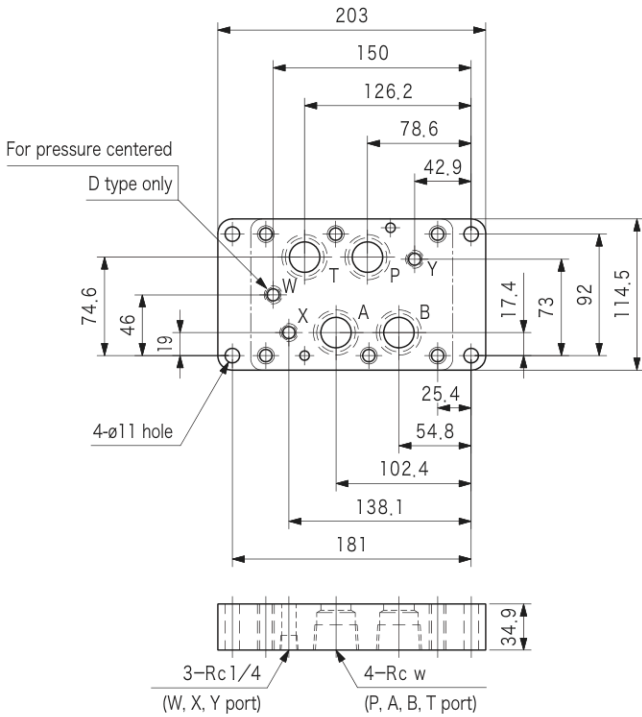
- DGSMV-04(X)-(D)-10
- DGSM-04-10-JA-M
- DGSM-04X-20-JA-M



Dimensions table

Model Code	w	a	b	c	d	e	f	g	h	i	j	k	m
DGSM (V) -04- (D) -10- (JA-M)	1/2	69.1	95.7	53.2	85	107.2	14.2	55.5	15.9	57.2	25.4	37.4	19.1
DGSM (V) -04X- (D) -10/20- (JA-M)	3/4	76.7	121.4	44.2	88.4	121.4	13.2	56	18.3	54.7	38	38.7	11.7

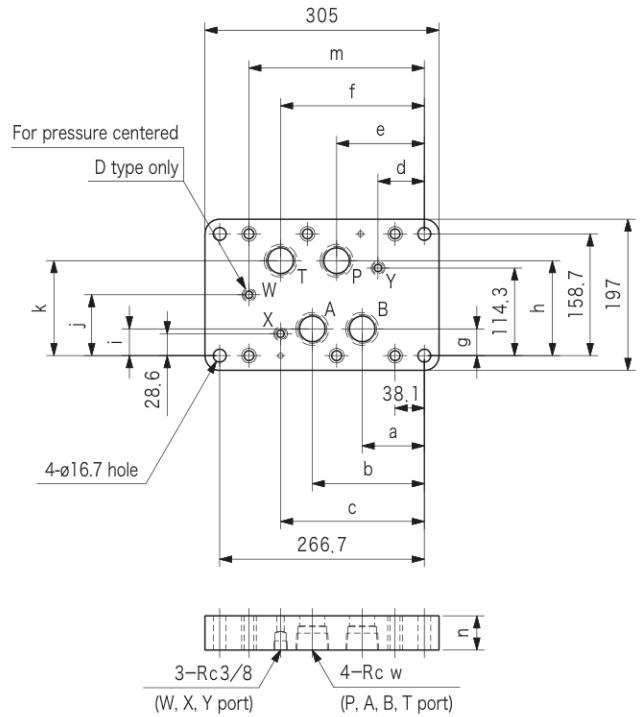
- DGSMV-06(X)-(D)-10



Dimensions table

Model Code	w
DGSMV-06-10	3/4
DGSMV-06-D-10	
DGSMV-06X-10	1
DGSMV-06X-D-10	

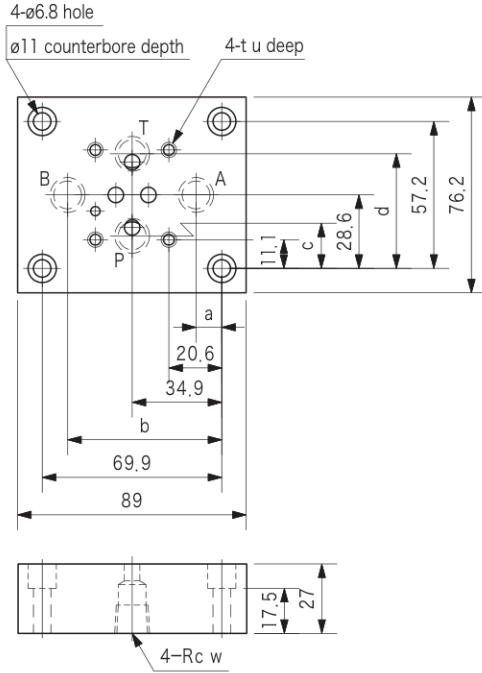
- DGSM-10(X/Y)-(D)-11-JA-M



Dimensions table

Model Code	w	a	b	c	d	e	f	g	h	i	j	k	m	n
DGSM-10- (D) -11-JA-M	1-1/4	81	146.1	187.4	60.4	114.3	187.4	34.9	123.8	34.9	79.4	123.8	228.6	44.5
DGSM-10X- (D) -11-JA-M	1-1/2													
DGSM-10Y- (D) -11-JA-M	2	68.4	160.3	211.1	50.8	98.6	201.7	39.6	130.1	22.4	79.4	113.6	244.8	53.8

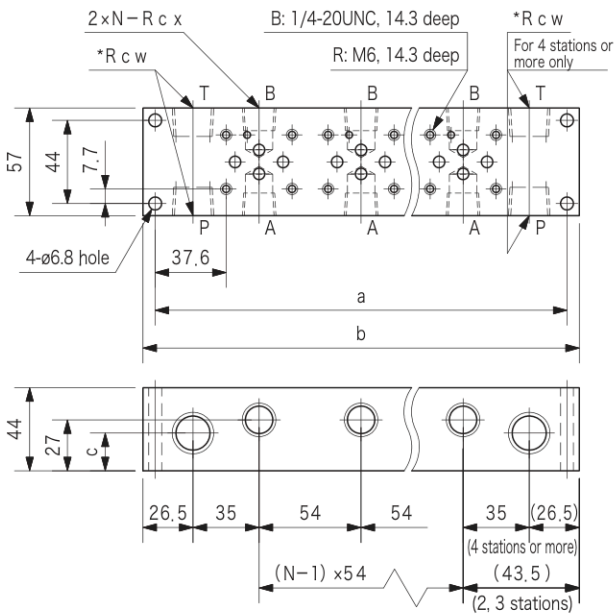
● DGM-02/03-JA-20-B/R-J



Dimensions table

Model Code	t	u	w	a	b	c	d
DGM-02-JA-20-B-J	1/4-20UNC	14.3	1/4	10	60	12.6	44.6
DGM-02-JA-20-R-J	M6	14.3					
DGM-03-JA-20-B-J	1/4-20UNC	14.3	3/8	7.2	62.8	9.5	47.6
DGM-03-JA-20-R-J	M6	14.3					

● DGME\*-02/03-JA-20-B/R-J

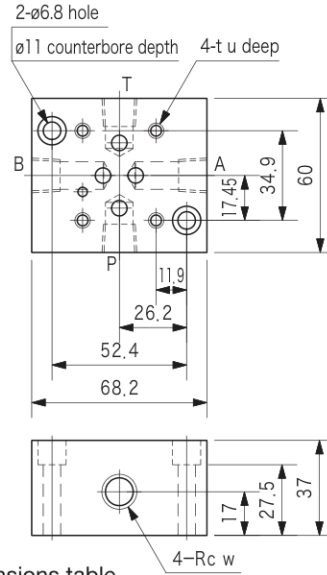


Note: \* marked P, T ports for 3 stations or less are provided only on left side as shown in schematic and on both sides for 4 stations or more.

Dimensions table

Model Code	Station No.	Connection Port Dia.		Dimension		
		w	x	a	b	c
DGME2-02-JA-20-B/R-J	2			146	159	
DGME3-02-JA-20-B/R-J	3			200	213	
DGME4-02-JA-20-B/R-J	4	3/8	1/4	272	285	16
DGME5-02-JA-20-B/R-J	5			326	339	
DGME6-02-JA-20-B/R-J	6			380	393	
DGME2-03-JA-20-B/R-J	2			146	159	
DGME3-03-JA-20-B/R-J	3			200	213	
DGME4-03-JA-20-B/R-J	4	1/2	3/8	272	285	20
DGME5-03-JA-20-B/R-J	5			326	339	
DGME6-03-JA-20-B/R-J	6			380	393	

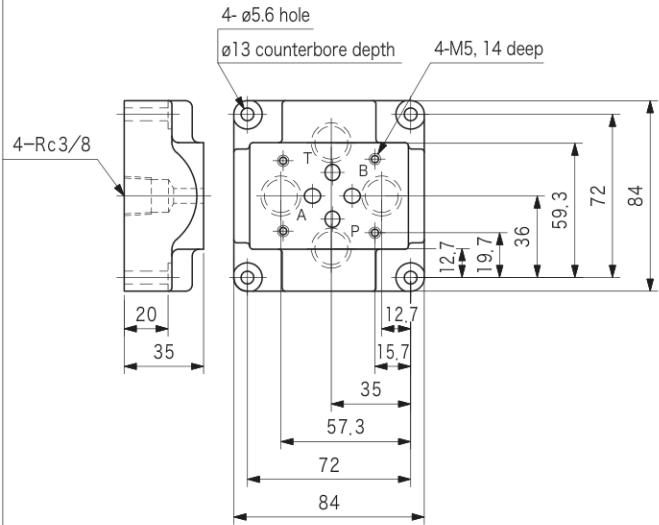
● DGME-02/03-JA-20-B/R-J



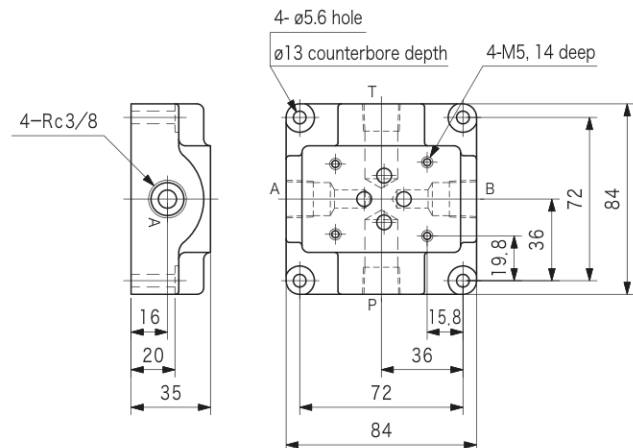
Dimensions table

Model Code	t	u	w
DGME-02-JA-20-B-J	1/4-20UNC	14.3	1/4
DGME-02-JA-20-R-J	M6	14.3	
DGME-03-JA-20-B-J	1/4-20UNC	14.3	3/8
DGME-03-JA-20-R-J	M6	14.3	

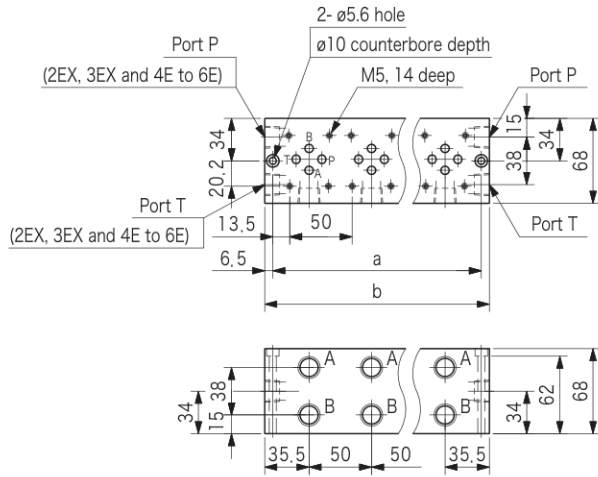
● DGVM-3-10-T-JA-J



● DGMS-3-1E-10-T-JA-J



● DGMS-3-\*E(X)-10-T-JA-J

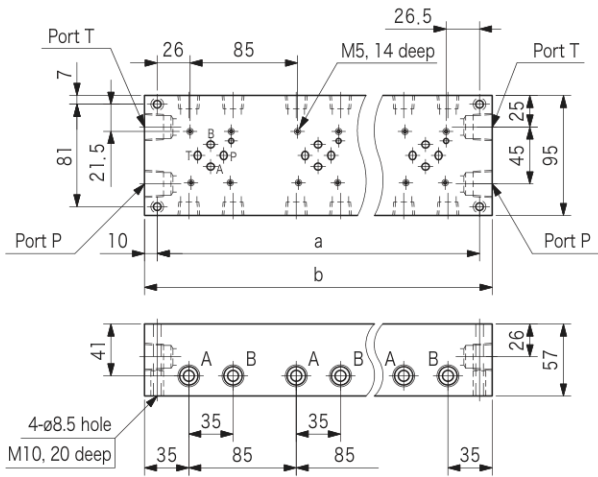


Note:

- DGMS-3-\*E connection ports P and T are provided only on right side as shown in schematic for 3 stations or less and on right and left sides for 4 stations or more.
- DGMS-3-2EX/3EX connection ports P and T are provided on right and left sides as shown in schematic.

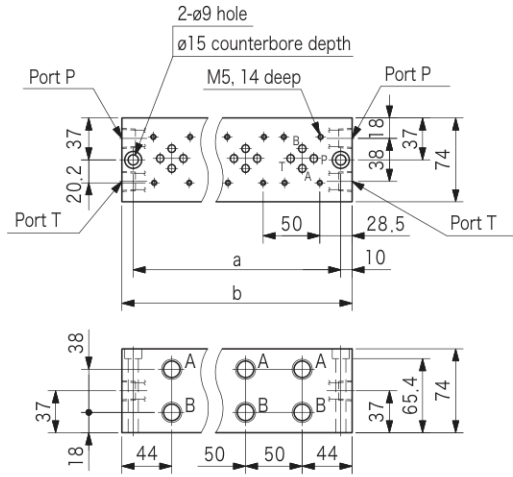
Model Code	Connection Port Diameter	a	b
DGMS-3-2E(X)-10-T-JA-J	Rc3/8	108	121
DGMS-3-3E(X)-10-T-JA-J		158	171
DGMS-3-4E-10-T-JA-J		208	221
DGMS-3-5E-10-T-JA-J		258	271
DGMS-3-6E-10-T-JA-J		308	321

● DGMS-3-\*E-10-T-JA-S2-J



Model Code	Connection Port Diameter		a	b
	P, T	A, B		
DGMS-3-2E-10-T-JA-S2-J	Rc1/2	Rc3/8	170	190
DGMS-3-3E-10-T-JA-S2-J			255	275
DGMS-3-4E-10-T-JA-S2-J			340	360
DGMS-3-5E-10-T-JA-S2-J			425	445
DGMS-3-6E-10-T-JA-S2-J			510	530
DGMS-3-7E-10-T-JA-S2-J			595	615
DGMS-3-8E-10-T-JA-S2-J			680	700
DGMS-3-9E-10-T-JA-S2-J			765	785
DGMS-3-10E-10-T-JA-S2-J			850	870

● TGMS-3-\*E-20-T-J



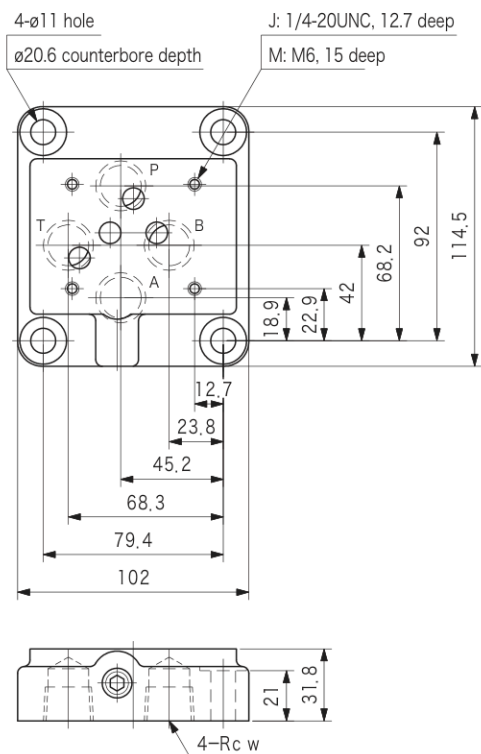
Note:

- Connection ports P and T are provided on right and left sides as shown in schematic.

Dimensions table

Model Code	Connection Port Diameter	a	b
TGMS-3-1E-20-T-J	Rc3/8	68	88
TGMS-3-2E-20-T-J		118	138
TGMS-3-3E-20-T-J		168	188
TGMS-3-4E-20-T-J		218	238
TGMS-3-5E-20-T-J		268	288
TGMS-3-6E-20-T-J		318	338

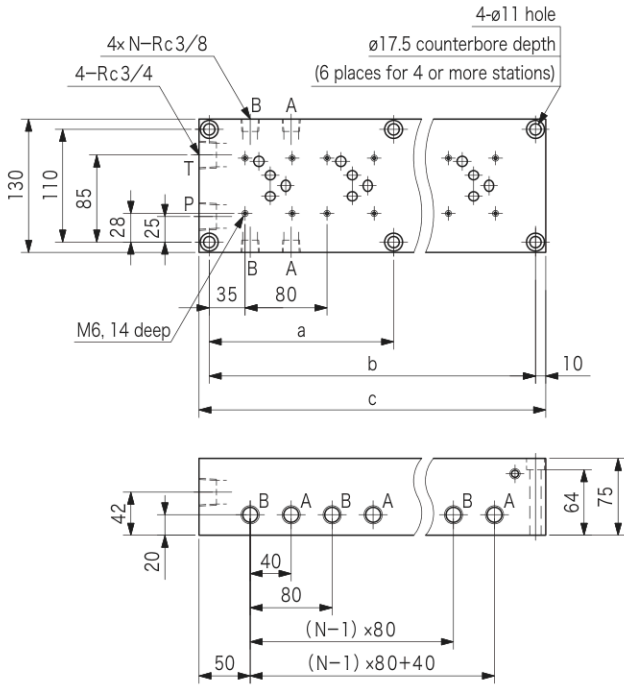
● DGSM-01X/Y-10-JA-J/M



Dimensions table

Model Code	w
DGSM-01X-10-JA-J/M	3/8
DGSM-01Y-10-JA-J/M	1/2

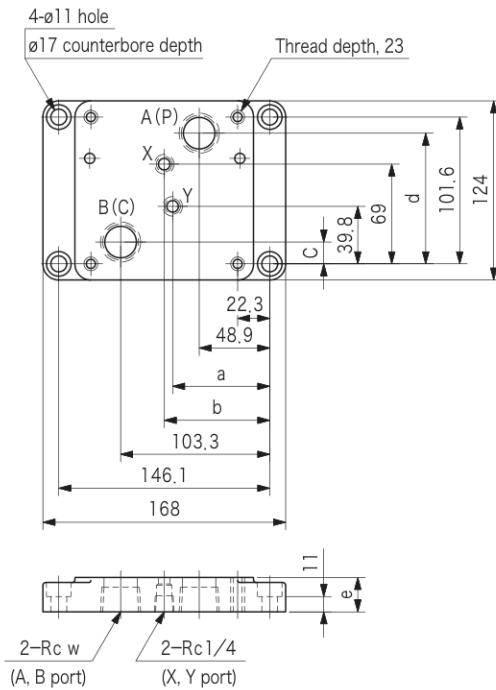
● TGMS-5-\*E-10-T-J



Dimensions table

Model Code	Station No. N	a	b	c
TGMS-5-1E-10-T-J	1	—	120	140
TGMS-5-2E-10-T-J	2	—	200	220
TGMS-5-3E-10-T-J	3	—	280	300
TGMS-5-4E-10-T-J	4	180	360	380
TGMS-5-5E-10-T-J	5	220	440	460
TGMS-5-6E-10-T-J	6	260	520	540

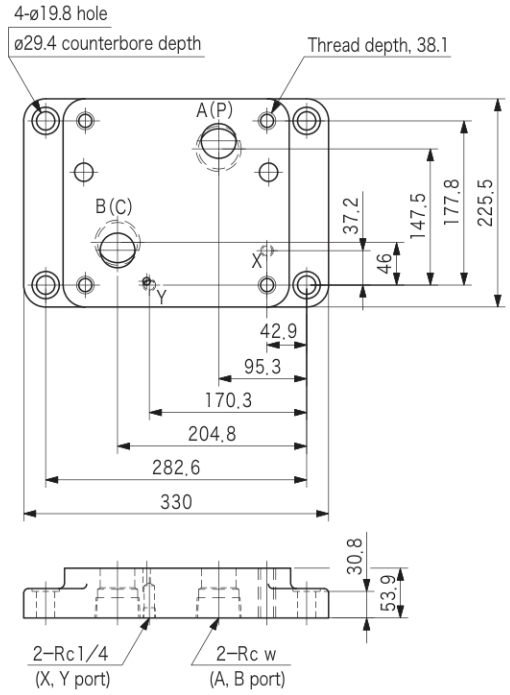
● EPFGM-03Y/Z-20



Dimensions table

Model Code	w	a	b	c	d	e
EPFGM-03Y-20	3/4	73.1	78.9	15.1	90.5	23.8
EPFGM-03Z-20	1	69.6	82.4	21.4	84.1	38.1

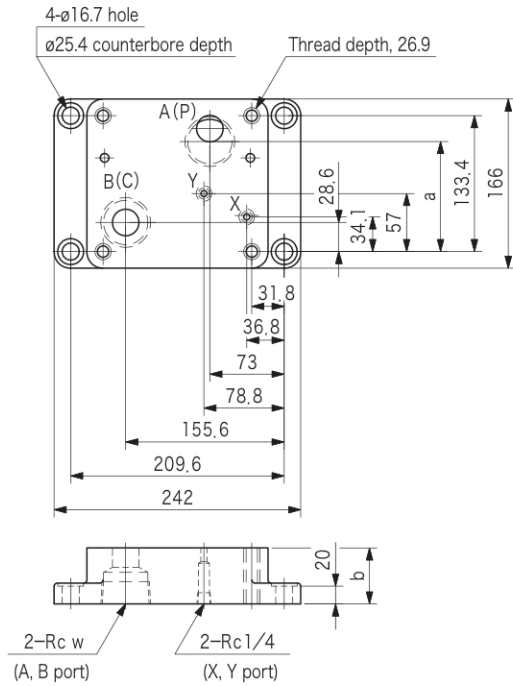
● TFGTM-10X/Y-10



Dimensions table

Model Code	w
TFGTM-10X-10	1-1/2
TFGTM-10Y-10	2

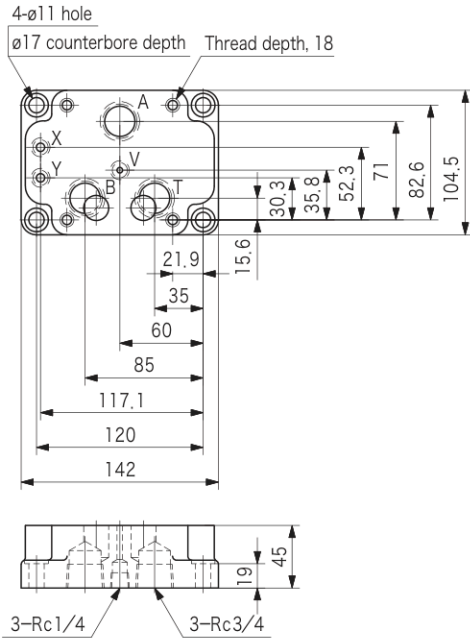
● EPFGM-06X/Y/Z-20



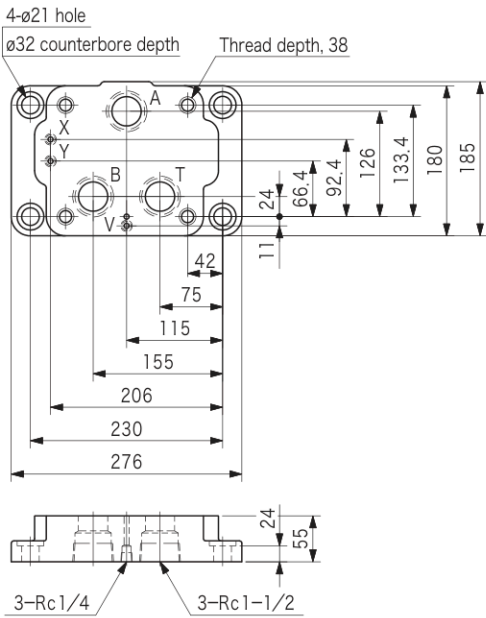
Dimensions table

Model Code	w	a	b
EPFGM-06X-20	1	117.4	42.9
EPFGM-06Y-20	1-1/4	112	42.9
EPFGM-06Z-20	1-1/2	108	55

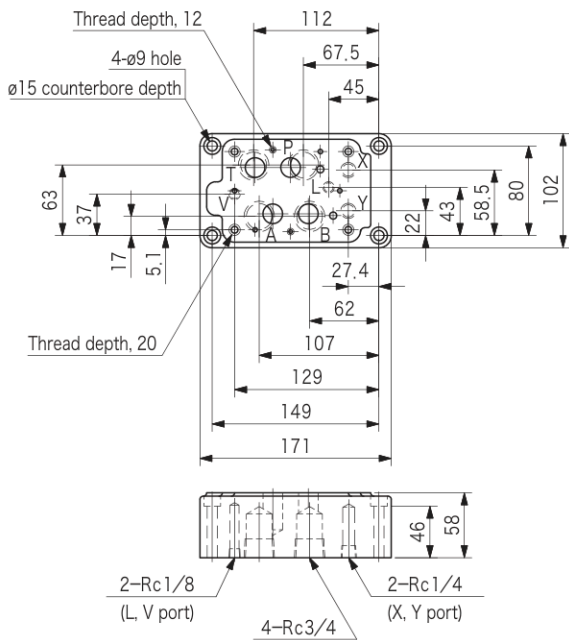
● D-FRGM-02-10



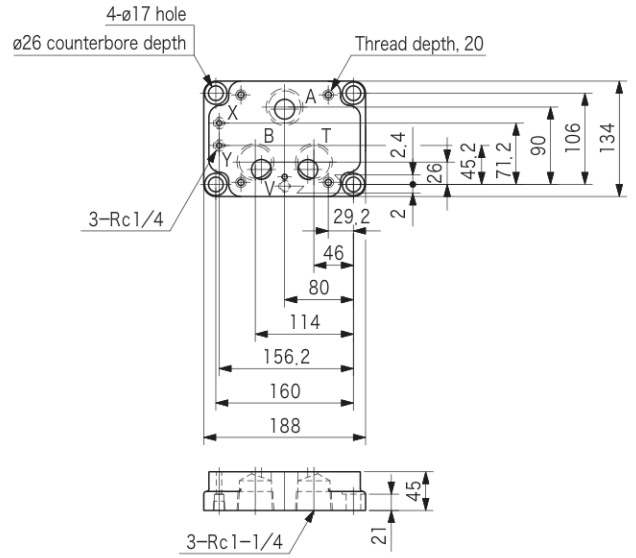
● D-FRGM-06-10



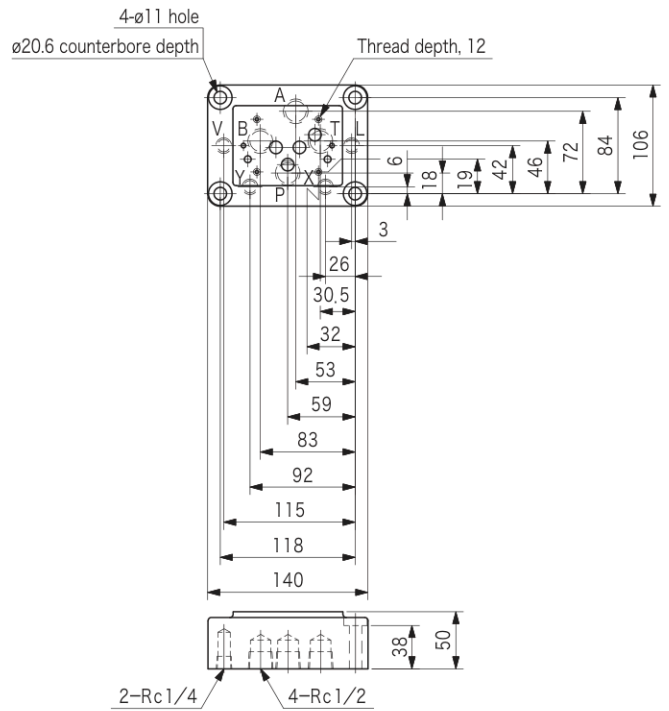
● DEFGM-04X-10



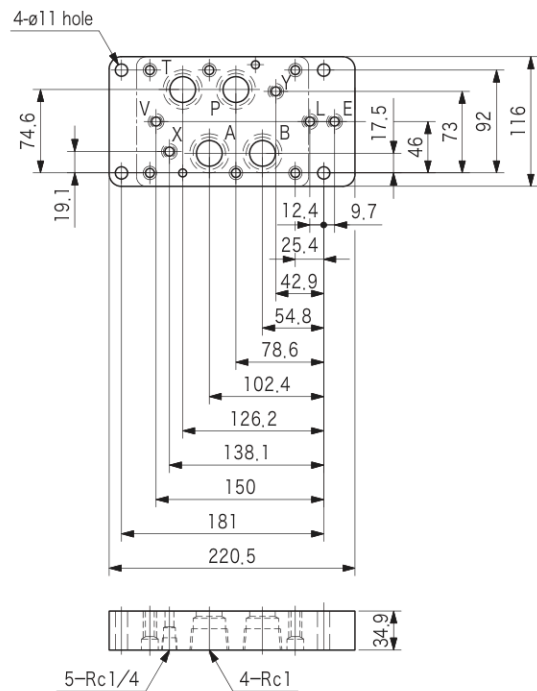
● D-FRGM-03-10



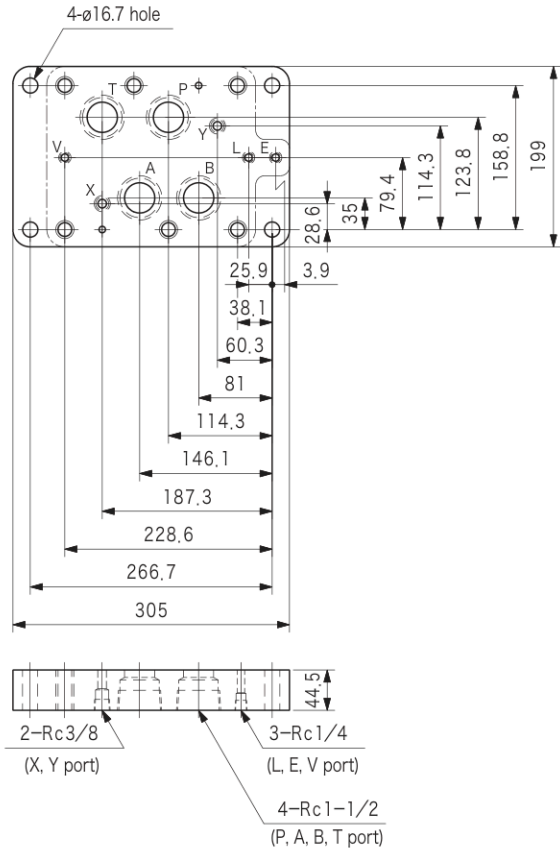
● DEFGM-03X-10



● DEFGM-06X-11



● DEFGM-10X-11



● SG1SM-02-10-JA-J

