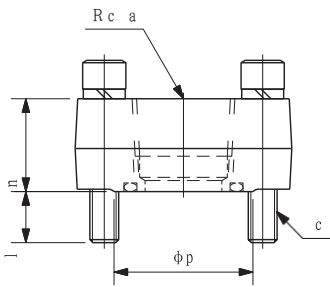
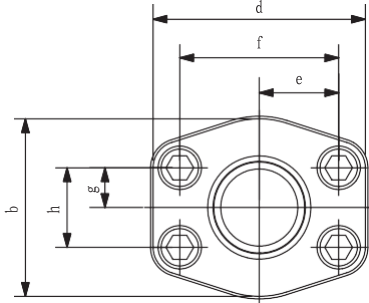


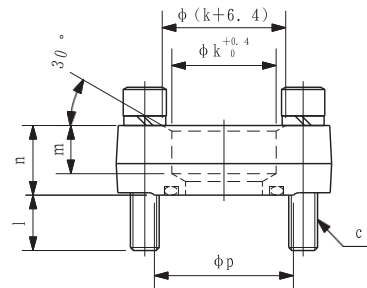
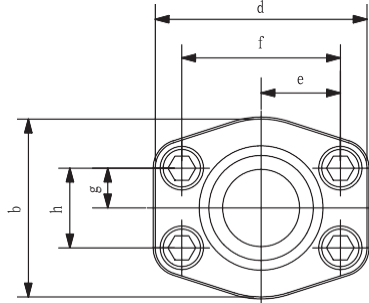
# FL1

## SAE J 518c (Standard Pressure), 4 Bolt Flange, FL1

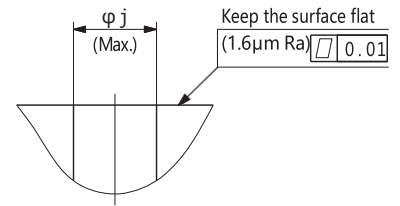
### ● Threaded



### ● Welded



### ● Mating Hole



#### Note:

- Used for SAE 4 bolt flange connection ports.
- O-rings, bolts, spring washers included.
- Max. working pressure, 21 MPa (however \* marked flanges are 3.5 MPa)

### Dimensions (unified thread)

Model Code		Size	a	b	c	d	e	f	g	h	j	k	l	m	n	p	O-ring size AS568-	
Threaded	Welded																	
FL1-6-06P-10-JA-S4-J	FL1-6-06W-10-JA	3/4	3/4	52.5	3/8-16 UNC	65	23.8	47.6	11.1	22.2	19.1	27.7	13.5	15.8	14.3	19.1	39.7	214
FL1-8-08P-10-JA-S4-J	FL1-8-08W-10-JA	1	1	58.5	3/8-16 UNC	70	26.2	52.4	13.1	26.2	25.4	34.5	16.9	18.3	15.9	23	46	219
FL1-10-10P-10-JA-S4-J	FL1-10-10W-10-JA	1-1/4	1-1/4	73	7/16-14 UNC	79	29.4	58.7	15.1	30.2	31.8	43.2	18	19	17.5	28.6	52.4	222
FL1-12-12P-10-JA-S4-J	FL1-12-12W-10-JA	1-1/2	1-1/2	82.5	1/2-13 UNC	93.5	35	69.9	17.8	35.7	38.1	49.1	18.5	20.8	19.1	32	61.9	225
FL1-16-16P-10-JA-S4-J	FL1-16-16W-10-JA	2	2	96.5	1/2-13 UNC	101.5	38.9	77.8	21.5	42.9	50.8	61.1	18.5	22.3	22.2	36.8	73	228
FL1-20-20P-10-JA-S4-J	FL1-20-20W-10-JA	2-1/2	2-1/2	108.5	1/2-13 UNC	114.5	44.5	88.9	25.4	50.8	63.5	77.1	22.8	25.4	49	85.7	232	
FL1-24-24P-10-JA-S4-J	FL1-24-24W-10-JA	3	3	131	5/8-11 UNC	135	53.2	106.4	31	61.9	76.2	90	22.8	31.8	49	103.2	237	
※* FL1-24-24P-LP-10-JA-S4-J	※* FL1-24-24W-LP-10-JA		90									16.5	54					
			90									17.8	31.8	54				
	※* FL1-28-28W-10-JA	3-1/2		140	5/8-11 UNC	152.5	60.4	120.7	35	69.9	88.9	103	28.9	30.2	36.6	115	241	
	※* FL1-32-32W-10-JA	4		152.5	5/8-11 UNC	162	65	130	38.9	77.7	101.6	115.5	27.4	31.8	38.1	128	245	

### Dimensions (metric thread)

		Size	a	b	c	d	e	f	g	h	j	k	l	m	n	p	AS568-	
Threaded	Welded																	
FL1-6-06P-10-JA-S4-M	FL1-6-06W-10-JA-M	3/4	3/4	52.5	M10	65	23.8	47.6	11.1	22.2	19.1	27.7	14	15.8	14.3	19.1	39.7	214
FL1-8-08P-10-JA-S4-M	FL1-8-08W-10-JA-M	1	1	58.5	M10	70	26.2	52.4	13.1	26.2	25.4	34.5	16.1	18.3	15.9	23	46	219
FL1-10-10P-10-JA-S4-M	FL1-10-10W-10-JA-M	1-1/4	1-1/4	73	M10	79	29.4	58.7	15.1	30.2	31.8	43.2	15.8	19	17.5	28.6	52.4	222
FL1-12-12P-10-JA-S4-M	FL1-12-12W-10-JA-M	1-1/2	1-1/2	82.5	M12	93.5	35	69.9	17.8	35.7	38.1	49.1	18.5	20.8	19.1	32	61.9	225
FL1-16-16P-10-JA-S4-M	FL1-16-16W-10-JA-M	2	2	96.5	M12	101.5	38.9	77.8	21.5	42.9	50.8	61.1	18.5	22.3	22.2	36.8	73	228
FL1-20-20P-10-JA-S4-M	FL1-20-20W-10-JA-M	2-1/2	2-1/2	108.5	M12	114.5	44.5	88.9	25.4	50.8	63.5	77.1	16.6	25.4	49	85.7	232	