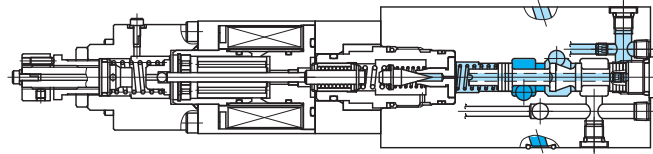
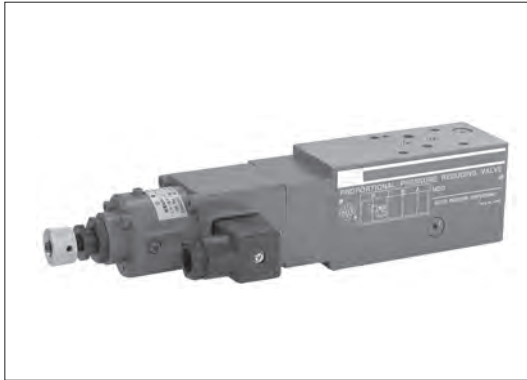


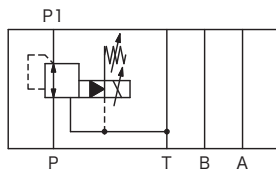
# Proportional solenoid pressure reducing modules EPMX2-3/5



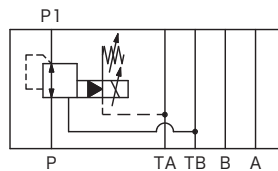
This valve utilizes a proportional solenoid electro-magnetic actuator to provide proportional pressure reducing control in hydraulic circuits.

## Functional Symbols

EPMX2-3-PP



EPMX2-5-PP



6-1

Proportional Solenoid Control Valves

## Model Code

**EPMX2-3-PP-140-10**



- 1 Proportional solenoid pressure reducing module
- 2 Mounting dimensions  
3: ISO 4401-03  
5: ISO 4401-05

- 3 Control port  
P: P port
- 4 Pilot line  
P: P line

- 5 Pressure adjustment range  
Refer to "Specifications".
- 6 Design no.  
10: EPMX2-3  
12: EPMX2-5

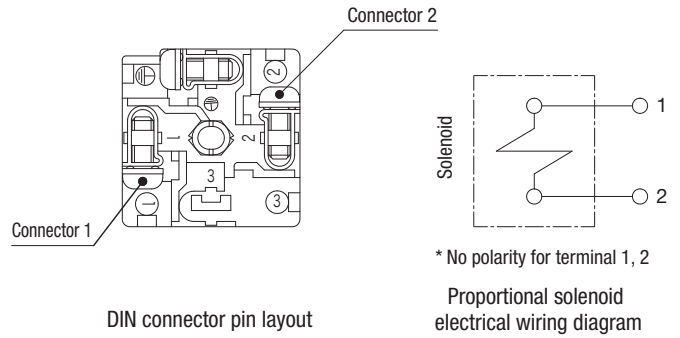
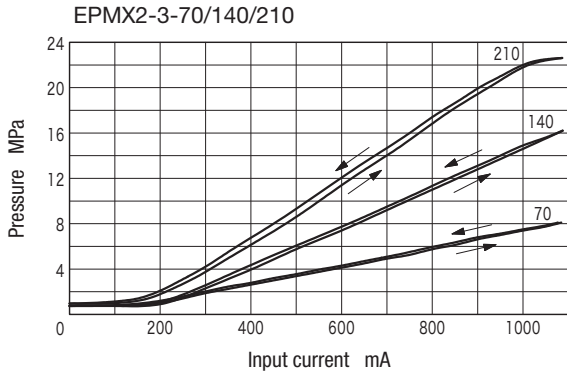
## Specifications

Model Code	EPMX2		
Mounting dimensions	3	5	
Max. working pressure MPa	21		
Allowable tank port back pressure MPa	7		
Max. flow L/min	45	120	
Pressure adjustment range code	70	140	210
Pressure adjustment range MPa	0.8~7	1~14	1.5~21
Rated current A	1		
Coil resistance Ω	14		
Hysteresis	Less than 3% (Note 1)		
Repeatability	Less than 1% (Note 2)		
Weight kg	4.2	5.2	

Note 1: Value when using controller P-X-20 or equivalent.  
Note 2: Valve unit value using special controller and with same working conditions.

# Characteristics Curve (at 20 mm<sup>2</sup>/s) (typical examples)

## Input Current–Pressure Characteristics



## Notes on Operation

- **Mounting orientation**  
The mounting direction is not subject to any restrictions, but the valve characteristics may differ slightly depending on this direction.
- **Air bleed**  
For stable pressure control, loosen the air bleed plug and bleed air completely out of the valve prior to use.
- **Manual adjustment**  
In case there is no input current to the solenoid during initial adjustment or electric malfunction, pressure may be set manually with the pressure adjustment knob. Return knob to counterclockwise direction upon electro-magnetic control.
- **In order to exercise satisfactory control, provide a pressure difference of at least 1.5 MPa between the high pressure side and reduced pressure side.**

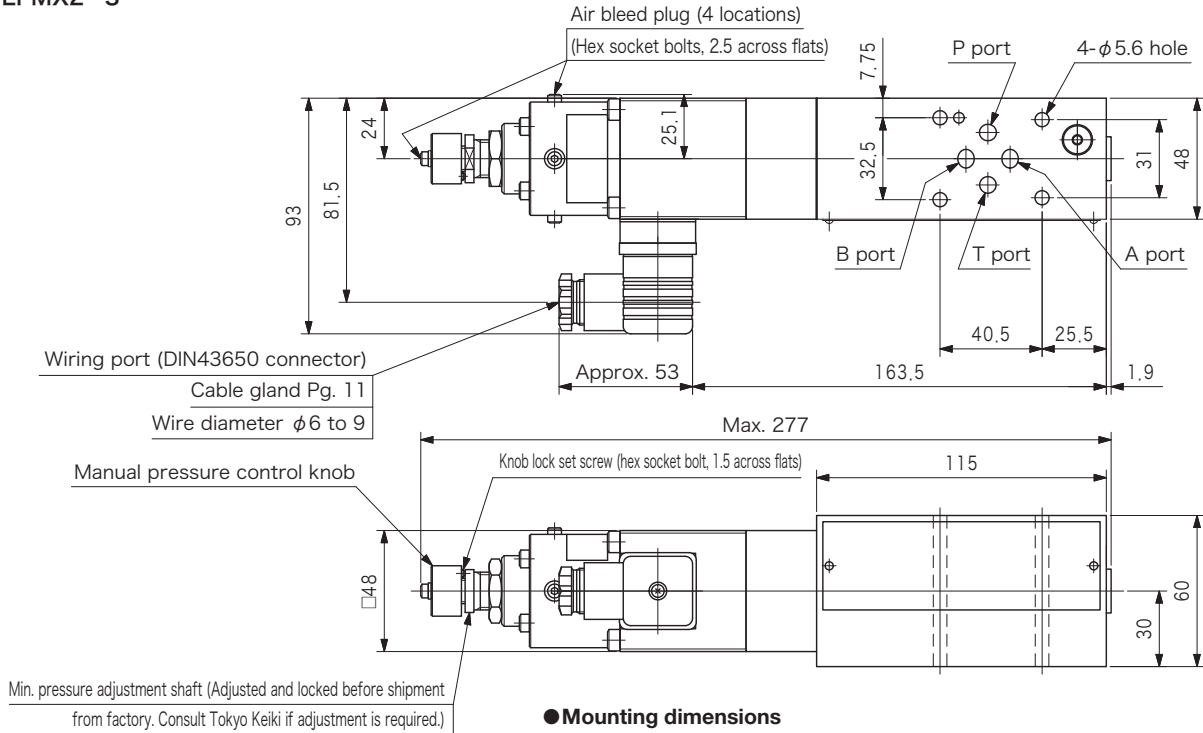
## Mounting Bolts (JIS B 1176, Strength Class 12.9)

Valve Model	Hex Socket Bolts	Qty
EPMX2-3	M5	4
EPMX2-5	M6	4

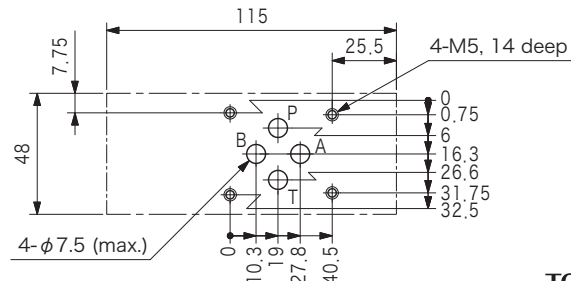
- Mounting bolts must be ordered separately.
- For mounting bolt lengths, see page G10-1 (EPMX2-3) or G22-4 (EPMX2-5).
- Mounting bolt tightening torque  
M5: 7 to 8 N·m  
M6: 12 to 15 N·m

## Dimensions

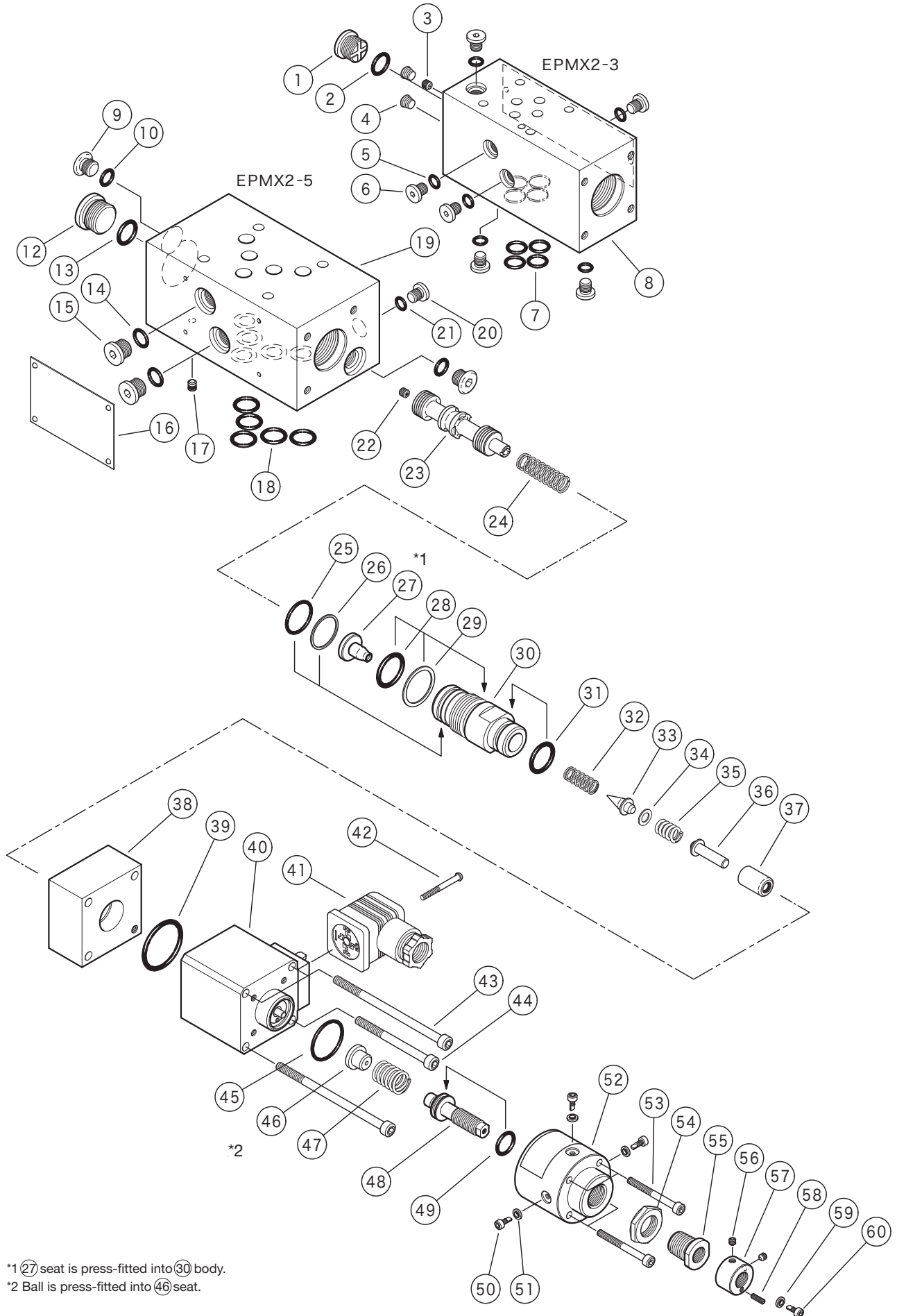
### EPMX2-3



### ● Mounting dimensions







\*1 (27) seat is press-fitted into (30) body.  
 \*2 Ball is press-fitted into (46) seat.