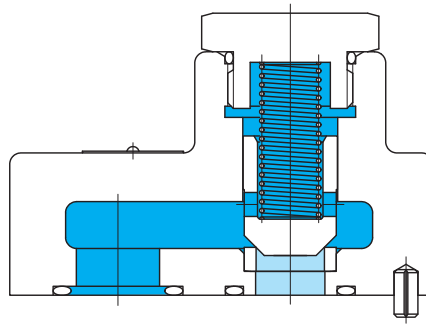


Angle type check valves (gasket mounting) C2G/C5G



Functional Symbol



4-1

Directional Control Valves

Model Code

(F3)-C5G-825-(S3)-JA-(11)-(S160)-(M)



1 Hydraulic fluid

Omit: mineral oil based fluid, water-glycol based fluid
F3: phosphate ester

2 Angle type check valves (gasket mounting)

3 Size

Refer to "Specifications".

4 Cracking pressure

Refer to "Specifications".

5 Design no.

Used only for C2G-805

6 Special feature

S51: valve opening adjuster (for C2G-805)

S160: valve opening adjuster (for C2G-815, C5G-825)

7 Mounting bolts

Under the 'Omitted' code, the mounting bolts for the C2G-805, C2G-815 and C5G-815 valves can be used with the metric thread or unified thread.

The mounting bolts for the C5G-825 valve can be used with the unified thread (3/4-10UNC) under the 'Omitted' code and with the metric thread (M20) under the 'M' code.

Specifications

Model Code	Size	Max. Working Pressure MPa	Rated Flow L/min	Weight kg
C2G-805	03	21	40	1.5
C5G-815	06		80	3.0
C5G-825	10		380	6.0

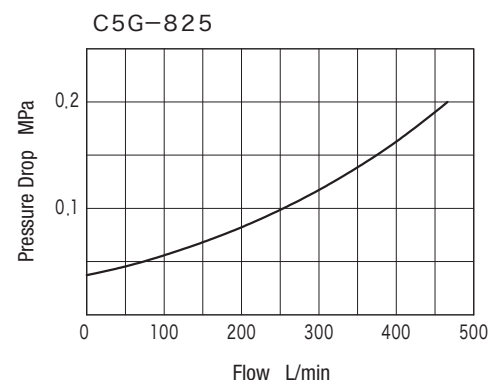
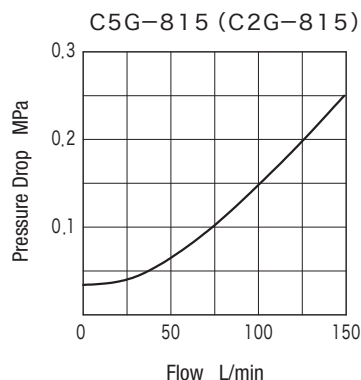
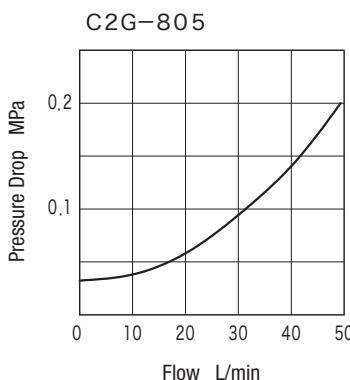
Note: Max. working pressure of S51, S160 special feature valves is 14 MPa.

Code	Omitted, S12	S20	S19	S2	S3	S8	S17	S34	S22
Cracking Pressure MPa	0.035	0.004	0.14	0.25	0.35	0.53	0.88	1.05	No spring

Note: Some cracking pressures may not be applicable for certain sizes. See F4-4 Spring Table.

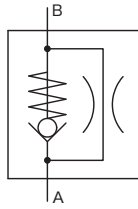
Characteristics Curve (at 20 mm²/s) (typical examples)

Pressure Drop Characteristics (cracking pressure 0.035 MPa)



Notes on Operation

- S22 (no spring) type should be mounted horizontally with gasket surface down.
- With S12 (with bypass orifice) type, orifice is incorporated in the poppet. Orifice size for C2G-805 is $\phi 1.0$ and for others, $\phi 1.2$.



Mounting Bolts (JIS B 1176, Strength Class 12.9)

Valve Model	Hex Socket Bolts		Qty
	Metric Thread	Unified Thread	
C2G-805	M8 × 40	5/16-18UNC × 38.1	4
C5G-815	M16 × 45	5/8-11UNC × 44.5	4
C5G-825	M20 × 90	3/4-10UNC × 88.9	4

- Mounting bolts must be ordered separately.
- Mounting bolt tightening torque
 C2G-805: 27~33 N·m
 C5G-815: 90~110 N·m
 C5G-825: 180~220 N·m

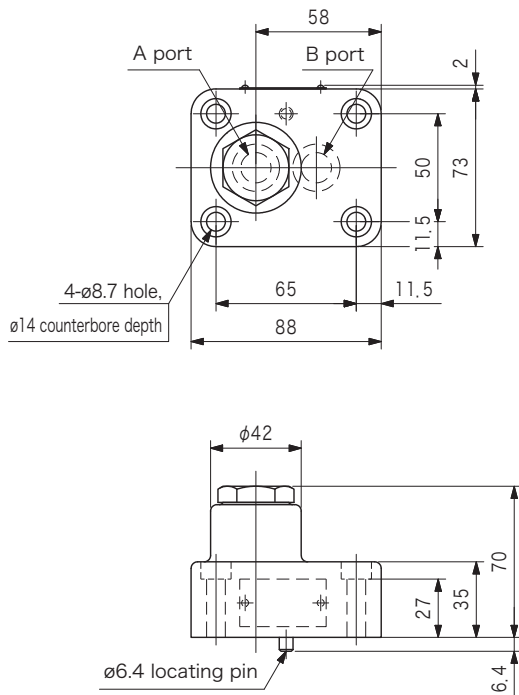
Subplate

Valve Model	Subplate	Connection Port Diameter Rc
C2G-805	C2GM-800-JA-10-J	1/4
	C2GM-805-JA-10-J	3/8
C5G-815	C4GM-815-JA-J	3/4
C5G-825	C5GM-825-JA-J	1-1/4

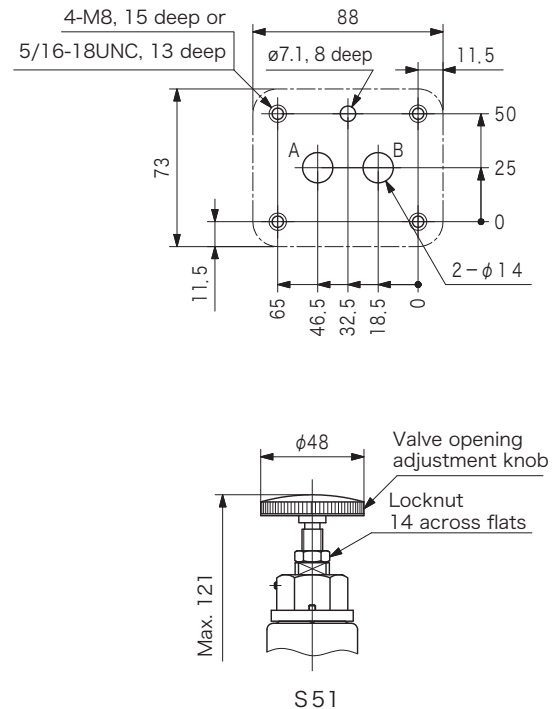
- Subplate must be ordered separately.
- Hex socket bolts for mounting valve included. (Unified thread)
- See page R6-4 for dimensions.

Dimensions

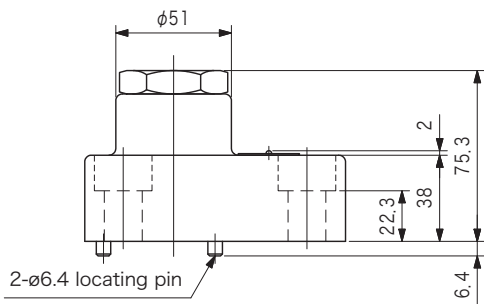
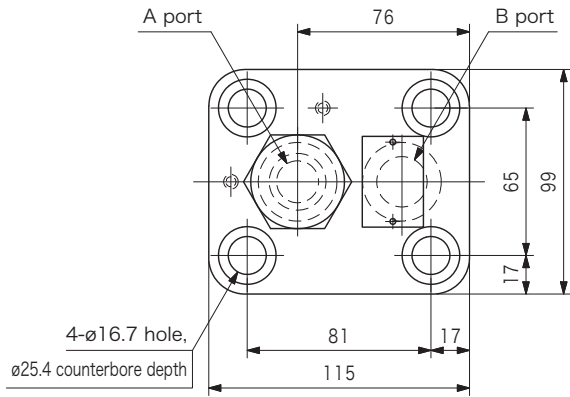
C2G-805



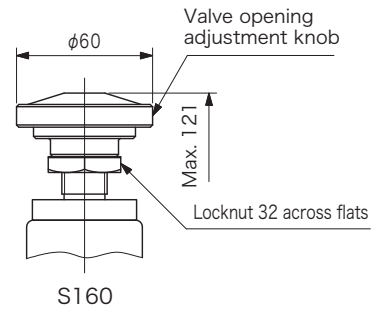
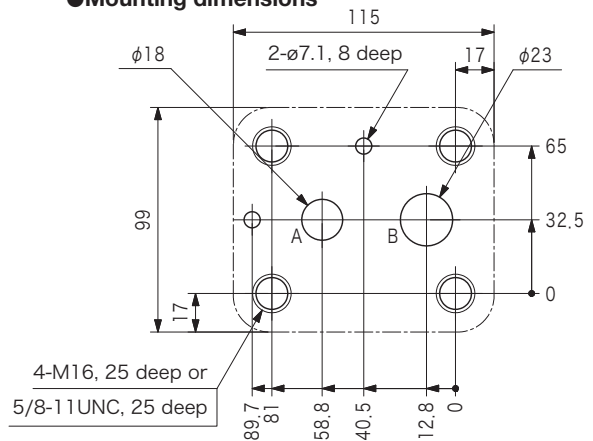
● Mounting dimensions



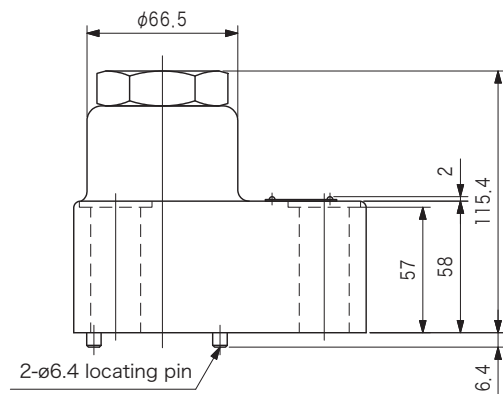
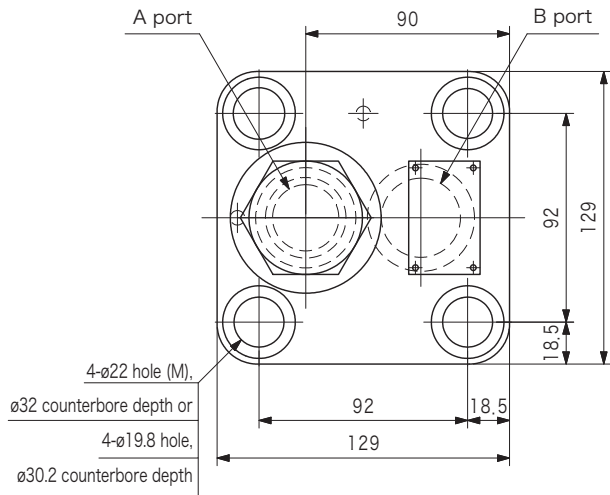
C5G-815



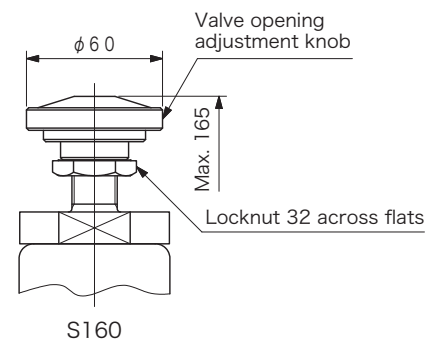
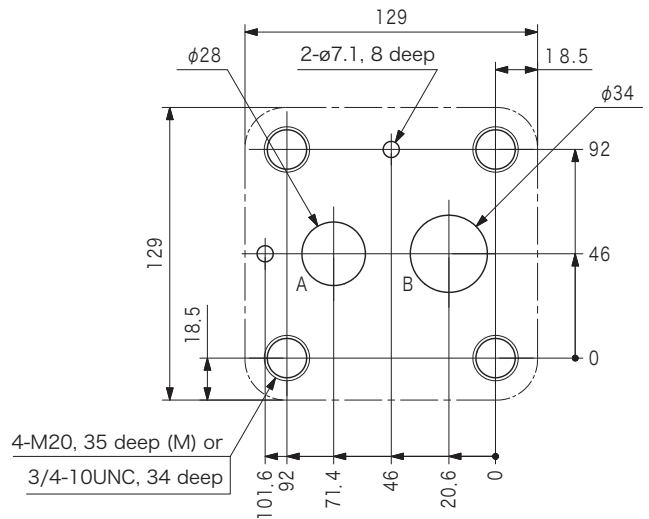
●Mounting dimensions

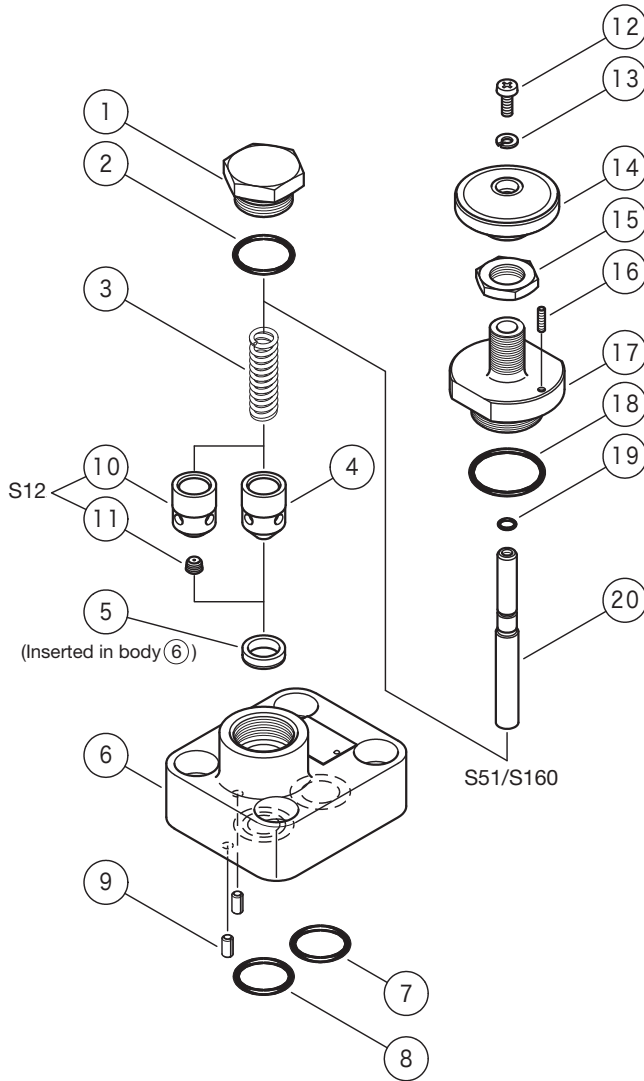


C5G-825



●Mounting dimensions





③ Spring
C2G-805

Code	Part No.
Omitted	VP2978
S3	VP35298
S8	VP55233
S12	VP2978
S17	VP112407
S19	VA4906
S20	VP140804

C5G-815

Code	Part No.
Omitted	VP2943
S2	VA10075
S3	VP25896
S8	VP32999
S12	VP2943
S17	VP84235
S19	VP2287
S20	VA10102
S34	VA10716

C5G-825

Code	Part No.
Omitted	VP2284
S2	VP2953
S3	VP29059
S8	VP39778
S12	VP2284
S17	VA13278
S19	VP106669
S20	VP2950
S34	VA10008

O-ring

C2G-805

No.	Part No.	Standard	Qty
2	007991019	AS568-910 (NBR, Hs90)	1
7	007911519	AS568-115 (NBR, Hs90)	1
8	007911719	AS568-117 (NBR, Hs90)	1
18	007991019	AS568-910 (NBR, Hs90)	1
19	007900919	AS568-009 (NBR, Hs90)	1

C5G-825

No.	Part No.	Standard	Qty
2	007992019	AS568-920 (NBR, Hs90)	1
7	007922319	AS568-223 (NBR, Hs90)	1
8	007922219	AS568-222 (NBR, Hs90)	1
18	007992019	AS568-920 (NBR, Hs90)	1
19	007901119	AS568-011 (NBR, Hs90)	1

C5G-815

No.	Part No.	Standard	Qty
2	007991619	AS568-916 (NBR, Hs90)	1
7	007921619	AS568-216 (NBR, Hs90)	2
18	007991619	AS568-916 (NBR, Hs90)	1
19	007901119	AS568-011 (NBR, Hs90)	1