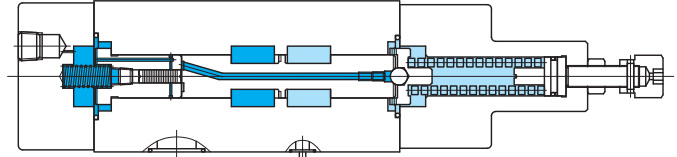
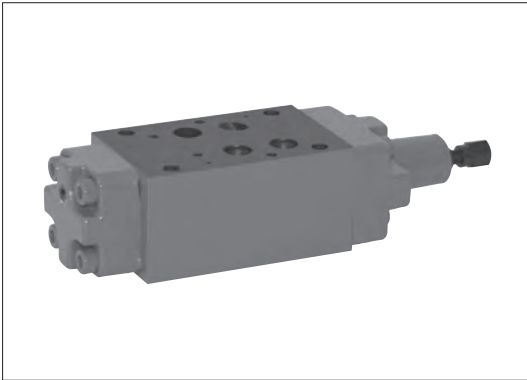
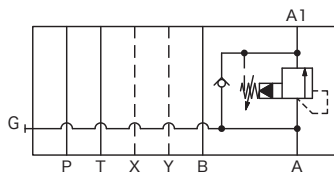


# Counterbalance valves TGMRC-7, 50 series

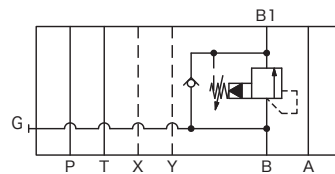


## Functional Symbols

TGMRC-7-AY



TGMC-7-BY



## Model Code

### TGMRC-7-\*Y-\*W-50



- 1 Counterbalance valve with check valve
- 2 Mounting dimensions  
7: ISO 4401-AD-07-4-A
- 3 Control port  
A: A port  
B: B port
- 4 Control direction  
Y: control of pressure from actuator

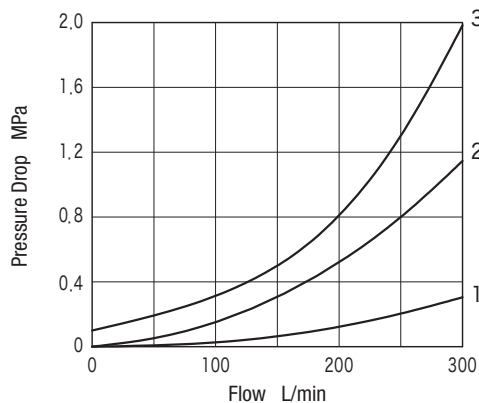
- 5 Pressure adjustment range  
A: 0.5~3.5 MPa  
C: 2~14 MPa
- 6 Adjuster  
W: hex socket adjustment screw
- 7 Design no.

## Specifications

- Max. Working Pressure: 21 MPa
- Max. Flow: 300 L/min

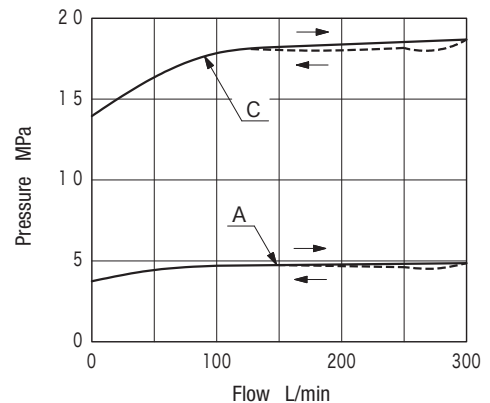
## Characteristics Curve (at 32 mm<sup>2</sup>/s, 40°C) (typical examples)

### ■ Pressure Drop Characteristics



1. P → B, B → T
2. A → T (main valve fully opened)
3. P → A

### ■ Pressure Override Characteristics

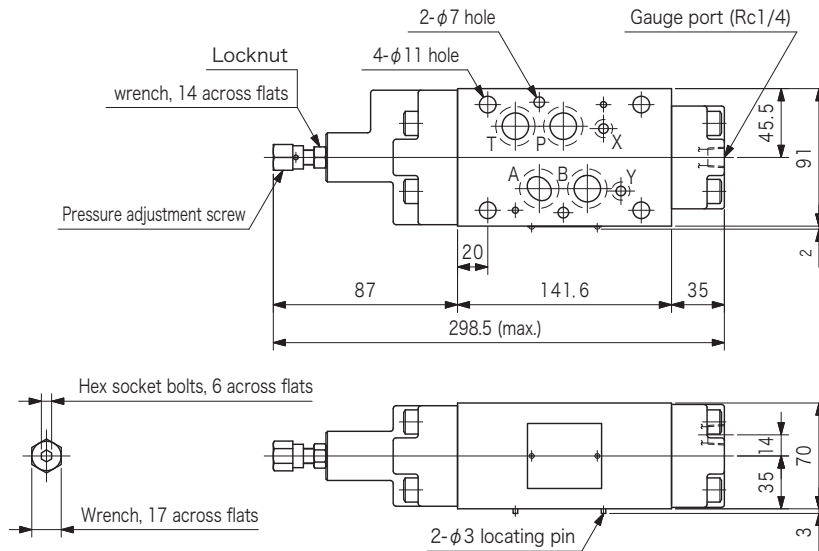


- Shown above is a typical example of a setting to the maximum pressure in the pressure adjustment range.
- The back pressure of the tank is added to these values to indicate the characteristics in the system.

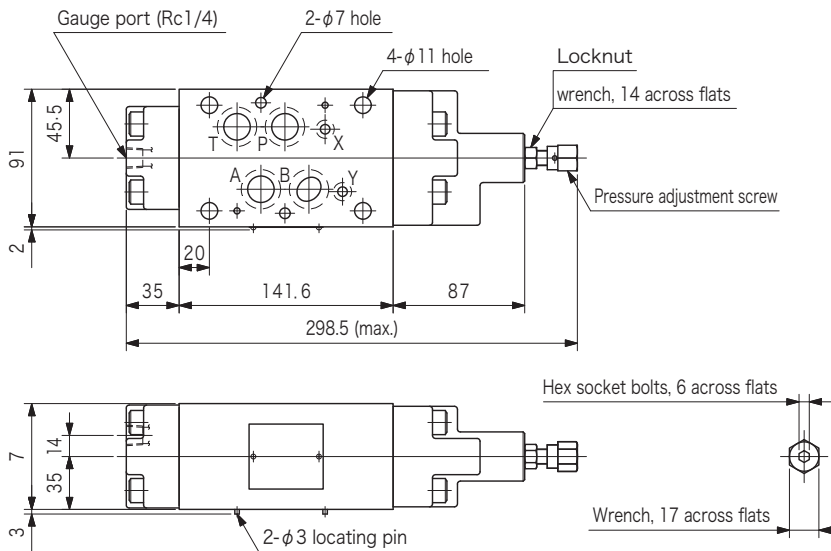
## Dimensions

TGMRC-7-AY-\*W-50

Weight: 8.7 kg

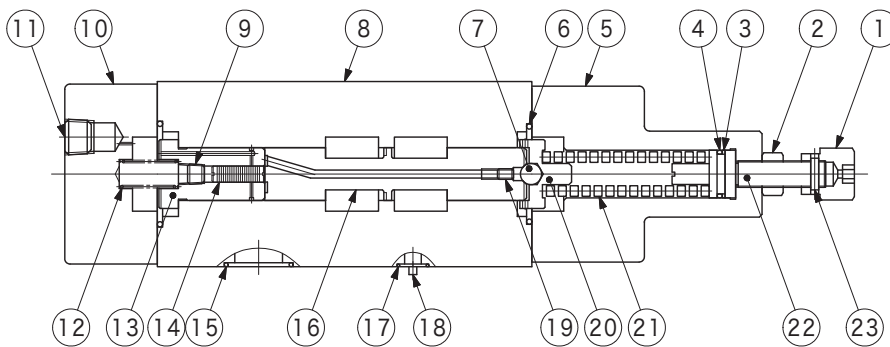


TGMRC-7-BY-\*W-50



## Construction

TGMRC-7-BY-\*W-50



No.	Name	Part No.	Standard	Qty
3	Backup ring	-	JIS B 2407 T2-P14	1
4	O-ring	-	JIS B 2401 1A-P14	1
6	O-ring	007912719	AS568-127 (NBR, Hs90)	2
15	O-ring	007901319	AS568-013 (NBR, Hs90)	2
17	O-ring	007911819	AS568118 (NBR, Hs90)	4