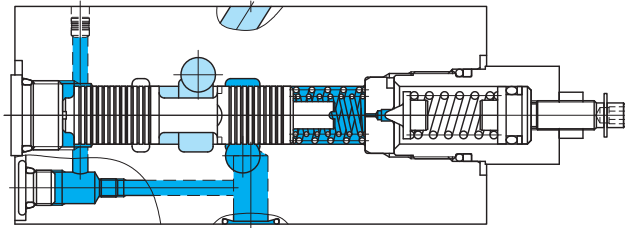
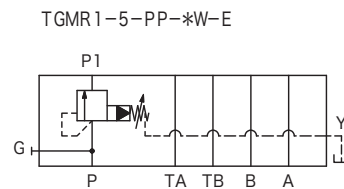
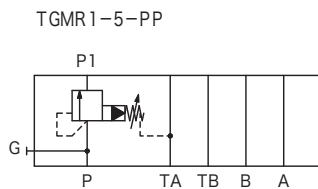


Pressure sequence valves TGMR1-5, 50 series



Functional Symbols



Model Code

(F3)-TGMR1-5-PP-*W-(E)-G-50

1 2 3 4 5 6 7 8 9 10

- 1 Hydraulic fluid
Omit: mineral oil based fluid, water-glycol based fluid
F3: phosphate ester
- 2 Sequence valve
- 3 Mounting dimensions
5: ISO 4401-05
- 4 Control port
P: P port
- 5 Pilot line
P: P line
- 6 Pressure adjustment range
A: (0.5)~5 MPa
B: (0.5)~10 MPa
F: (0.5)~20 MPa
G: (0.5)~31.5 MPa
(The minimum pressure differs depending on the flow. Refer to the characteristics curves.)

- 7 Adjuster
W: hex socket adjustment screw
H: knob
- 8 Drain
Omit: valve internal TA line drain (internal drain)
E: external drain
- 9 Pipe connection
For gauge port (G) or external drain port (Y)
G: G1/8 O-ring seal (applicable to all models)
- 10 Design no.

Specifications

- Max. Working Pressure: 31.5 MPa
- Max. Flow: 120 L/min
- Max. Pilot Flow (*1): 500 cm³/min
- Max. Leakage (*2): 200 cm³/min

Conditions:

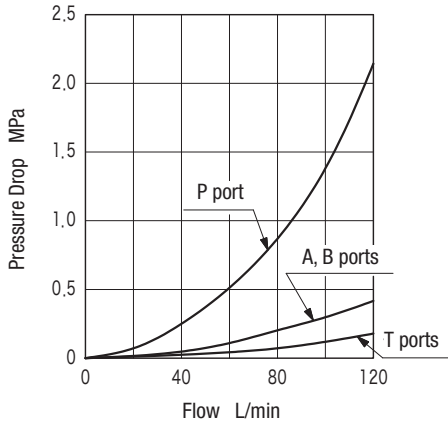
(*1) Setting pressure 31.5 MPa (20 mm²/s, 50°C)

(*2) Setting pressure 31.5 MPa, primary side pressure 25 MPa (20 mm²/s, 50°C)

Characteristics Curve (at 20 mm²/s, 50°C) (typical examples)

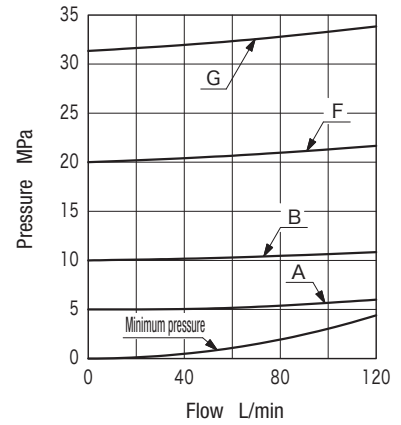
■ Pressure Drop Characteristics

• Indicates pressure loss at each port. "P port" curve is for spool in valve fully opened.



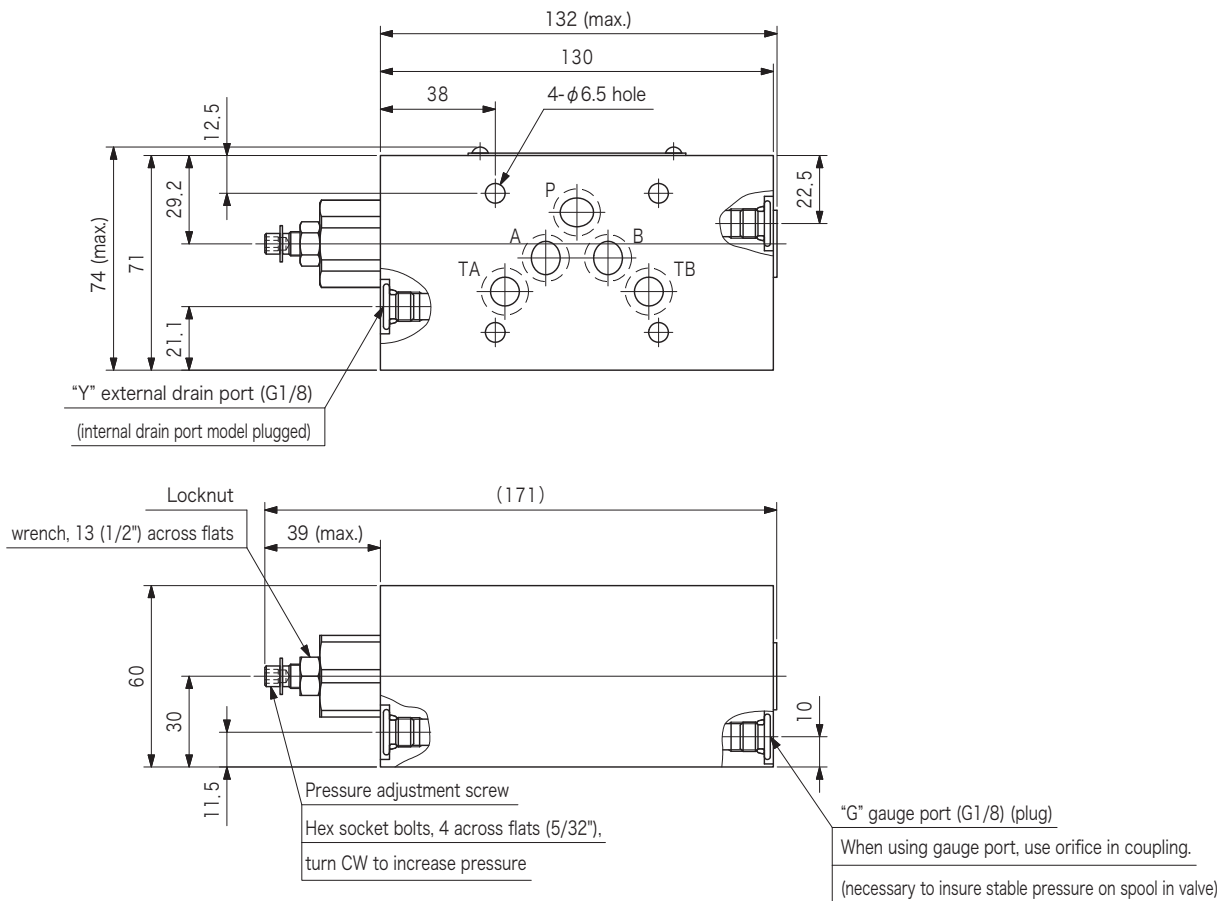
• Curve for each pressure adjustment range at max. pressure setting.
 • "Min. pressure" curve is applicable to all models (adjustment screw completely loosened).
 • For characteristics of system, tank back pressure or drain back pressure ("E" type) is added.

■ Pressure Override Characteristics



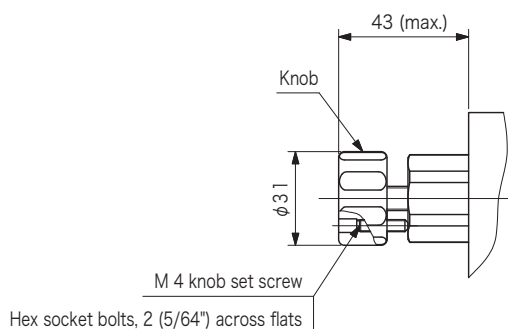
Dimensions

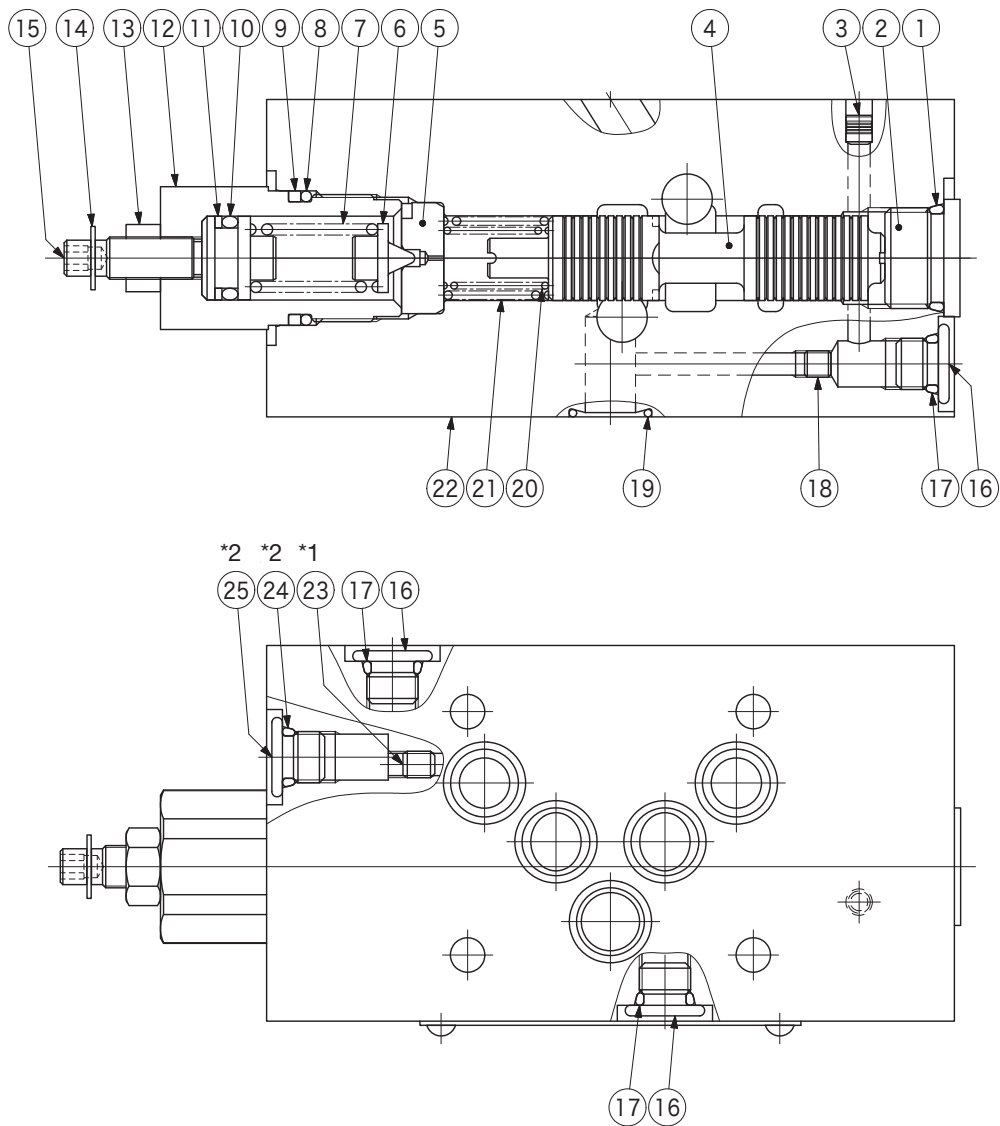
TGMR1-5-PP-*W-(E)-G-50 (sequence valve) Weight: 3.5 kg



Pressure Adjuster

"H" Type Weight: +0.1 kg (compared to W type)





Note: *1 (23) used for external drain model (-E) only.

*2 (24) (25) not used for external drain model (-E).

No.	Name	Part No.	Standard	Qty
1	O-ring	007990819	AS568-908 (NBR, Hs90)	1
8	O-ring	007911717	AS568-117 (NBR, Hs70)	1
9	Backup ring	40025061	MS28774-117	1
10	O-ring	007911117	AS568-111 (NBR, Hs70)	1
11	Backup ring	40025057	MS28774-111	1
17	O-ring	008000619	JIS B 2401-1B-P8	4
19	O-ring	007901419	AS568-014 (NBR, Hs90)	5
24	O-ring	008000619	JIS B 2401-1B-P8	1 or 0

(7) Spring

Code	Part No.
A	40025063
B	40025064
F	40025065
G	40025066