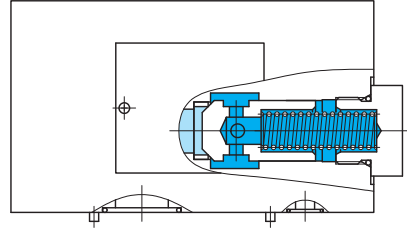
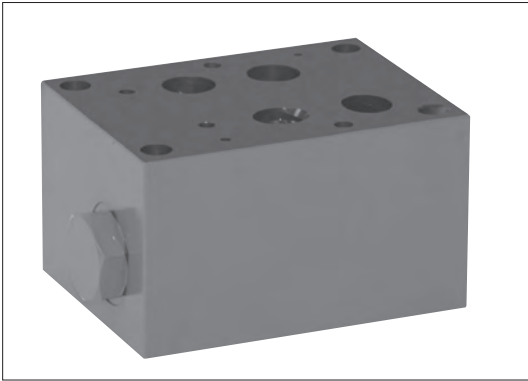
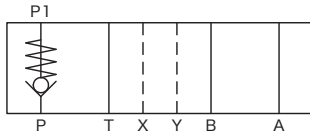


# Check valves TGMDC-7, 50 series

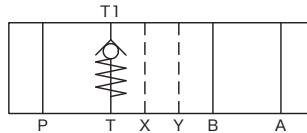


## Functional Symbols

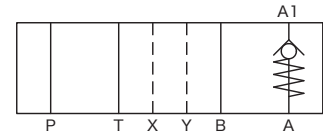
TGMDC-7-Y-P\*



TGMDC-7-X-T\*



TGMDC-7-Y-A\*



## Model Code

### TGMDC-7-\*-\*\*-50

1 2 3 4 5 6

1 Check valves

2 Mounting dimensions

7: ISO 4401-AD-07-4-A

3 Flow direction

X: free flow from actuator

Y: free flow to actuator

4 Control line

P: P line (for 'Y' under item 3)

T: T line (for 'X' under item 3)

A: A line (for 'Y' under item 3)

5 Cracking pressure

L: 0.04 MPa

M: 0.35 MPa

N: 0.5 MPa

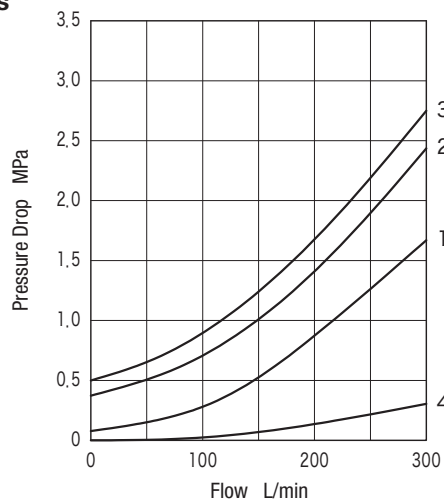
6 Design no.

## Specifications

- Max. Working Pressure: 21 MPa
- Max. Flow: 300 L/min

## Characteristics Curve (at 32 mm<sup>2</sup>/s, 40°C) (typical examples)

### ■ Pressure Drop Characteristics



1. P → A, P → B (Cracking pressure L)
2. P → A, P → B (Cracking pressure M)
3. P → A, P → B (Cracking pressure N)
4. A → T, B → T

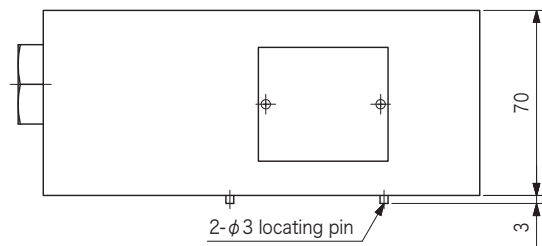
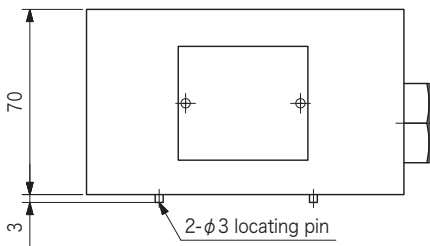
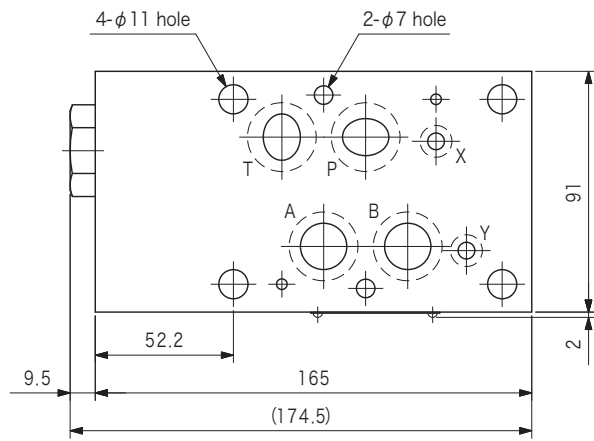
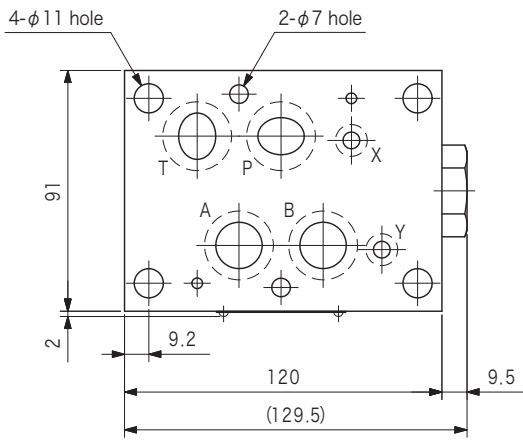
## Dimensions

TGMDC-7-Y-P\*-50  
TGMDC-7-Y-A\*-50

Weight: 4.6 kg

TGMDC-7-X-T\*-50

Weight: 6.6 kg

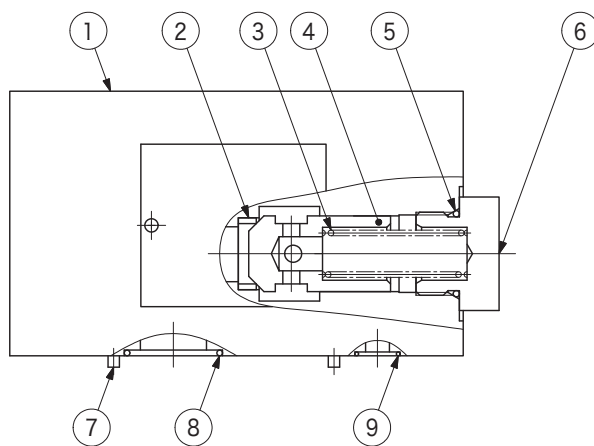


G  
39-2

Stack Valves

## Construction

TGMDC-7-Y-P\*-50



No.	Name	Part No.	Standard	Qty
5	O-ring	-	JIS B 2401 1A-P20	1
8	O-ring	007911819	AS568-118 (NBR, Hs90)	4
9	O-ring	007901319	AS568-013 (NBR, Hs90)	2