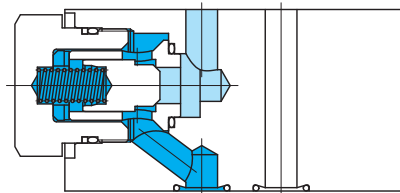
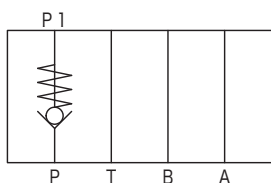


Check valves TGMDC-3, 51 series

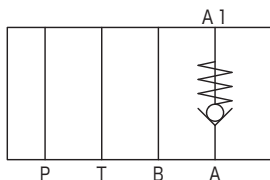


Functional Symbols

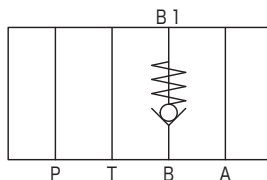
TGMDC-3-Y-P*



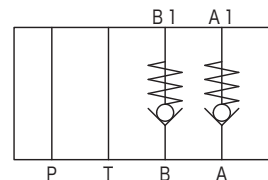
TGMDC-3-X-A*



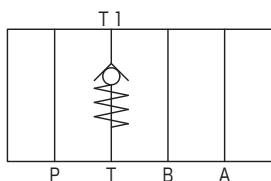
TGMDC-3-X-B*



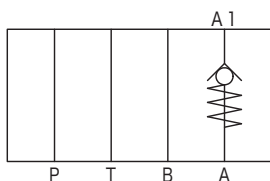
TGMDC-3-X-A*-B*



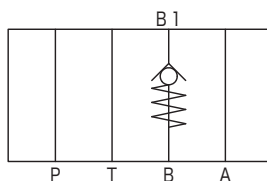
TGMDC-3-X-T*



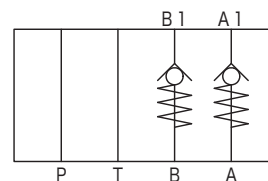
TGMDC-3-Y-A*



TGMDC-3-Y-B*



TGMDC-3-Y-A*-B*



Model Code

(F3)-TGMDC-3-**-*(B*)-51

1 2 3 4 5 6 7 8 9

1 Hydraulic fluid

Omit: mineral oil based fluid, water-glycol based fluid
F3: phosphate ester

2 Check valves

3 Mounting dimensions

3: ISO 4401-03

4 Flow direction

X: free flow from actuator

Y: free flow to actuator

5 Control line

P: P line (for 'Y' under item 4)

T: T line (for 'X' under item 4)

A: A line

B: B line

6 Cracking pressure

L: 0.035 MPa

K: 0.1 MPa

M: 0.25 MPa

N: 0.5 MPa

7 Control line

B: B line

8 Cracking pressure

Same as 6

9 Design no.

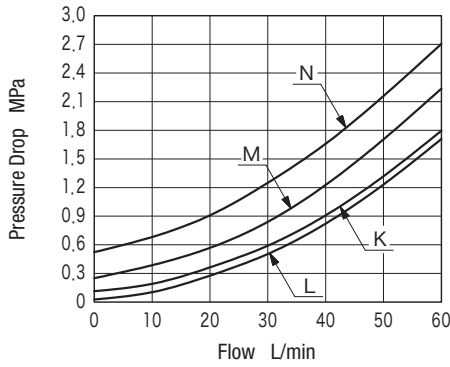
} for double check valve

Specifications

- Max. Working Pressure: 31.5 MPa
- Max. Flow: 60 L/min

Characteristics Curve (at 20 mm²/s, 50°C) (typical examples)

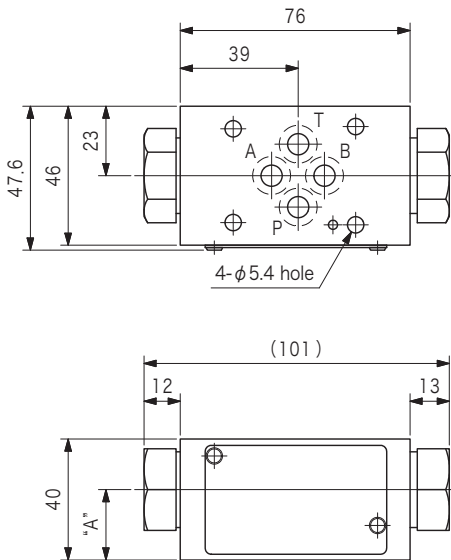
■ Pressure Drop Characteristics (Free Flow Direction)



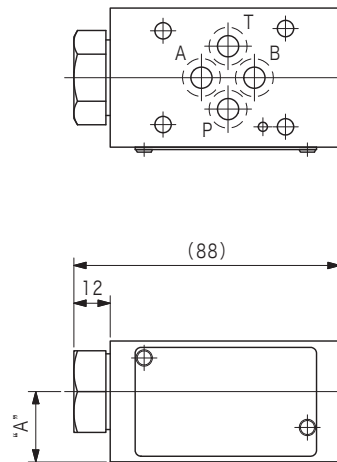
Dimensions

Weight: 1 kg (All Models)

TGMDC-3-X-A*-B*-51 (double type check valve)
 TGMDC-3-Y-A*-B*-51 (double type check valve)

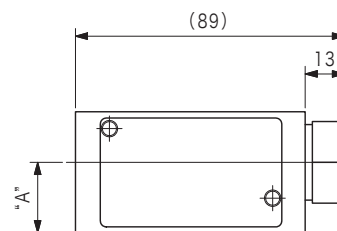


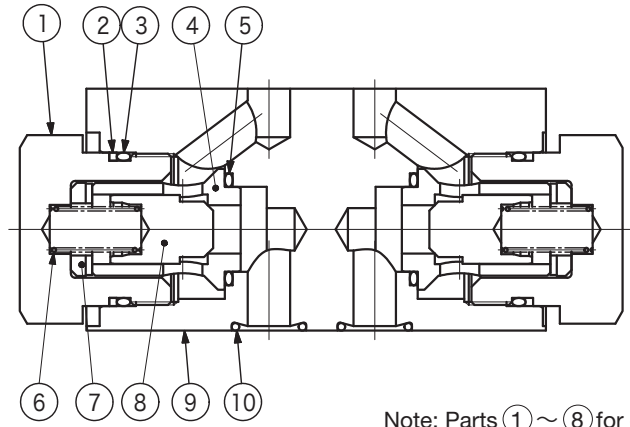
TGMDC-3-Y-P*-51 (single type check valve)
 TGMDC-3-X-T*-51 (single type check valve)
 TGMDC-3-X-A*-51 (single type check valve)
 TGMDC-3-Y-A*-51 (single type check valve)



Model Code	"A"
TGMDC-3-Y-P*-51	16.75
TGMDC-3-X-A*-51	
TGMDC-3-X-B*-51	
TGMDC-3-X-A*-B*-51	
TGMDC-3-X-T*-51	23.25
TGMDC-3-Y-A*-51	
TGMDC-3-Y-B*-51	
TGMDC-3-Y-A*-B*-51	

TGMDC-3-X-B*-51 (single type check valve)
 TGMDC-3-Y-B*-51 (single type check valve)





Note: Parts ① ~ ⑧ for one side only for single type.

No.	Name	Part No.	Standard	Qty	
				Single Type	Double Type
2	Backup ring	40025055	—	1	2
3	O-ring	007902017	AS568-020 (NBR, Hs70)	1	2
5	O-ring	007901517	AS568-015 (NBR, Hs70)	1	2
10	O-ring	007901219	AS568-012 (NBR, Hs90)	4	4

⑥ Spring

Code	Part No.
L	40025105
K	40027413
M	40027441
N	40027442