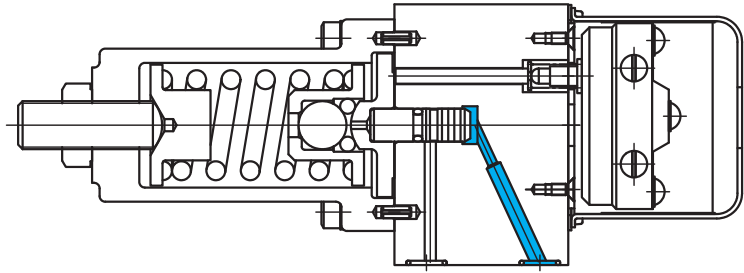
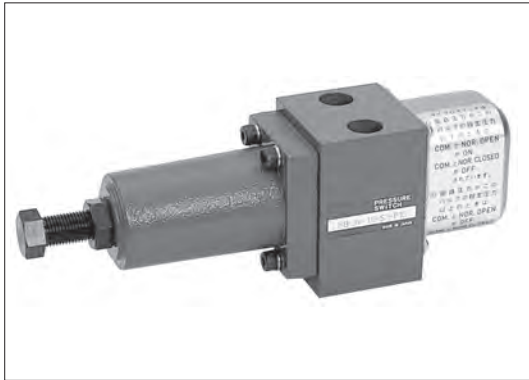
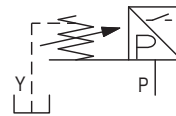


# Pressure switch SG-3



Functional Symbol



- This pressure switch is used to sense pressure in hydraulic circuits to turn electrical circuits ON and OFF.

## Model Code

(F3)-SG-3F-12-(LA)

1 2 3 4 5

- 1 Hydraulic fluid  
Omit: mineral oil based fluid, water-glycol based fluid  
F3: phosphate ester
- 2 Pressure switches (gasket mounting)
- 3 Sensing pressure adjustment range  
Refer to "Specifications".

- 4 Design no.
- 5 Indicator lamp (option)  
Omit: no indicator lamp (standard)  
LA: indicator lamp

## Specifications

Model Code	Max. Working Output MPa	Sensing Pressure Adjustment Range		Weight kg
		Code	MPa	
SG-3	21	F	0.7~14	1.9
		V	3.5~21	

### ● Micro-Switch Rating

Power Supply	AC		DC	
	Voltage V	125, 250, 480	125	250
Current A	15	0.5	0.25	

### ● Micro-Switch and Circuit Pressure Relationship

- Circuit pressure lower than setting pressure  
COMMON —●— NORMALLY OPEN  
COMMON —○— NORMALLY CLOSED
- Circuit pressure higher than setting pressure  
COMMON —○— NORMALLY OPEN  
COMMON —●— NORMALLY CLOSED

## Notes on Operation

- Loosen locknut, turn adjustment screw clockwise to raise sensing pressure setting, counterclockwise to lower sensing pressure setting.
- Connect drain port directly to tank.
- Indicator lamp flashes when circuit pressure exceeds setting pressure, activating micro-switch (option).

## Mounting Bolts (JIS B 1176, Strength Class 12.9)

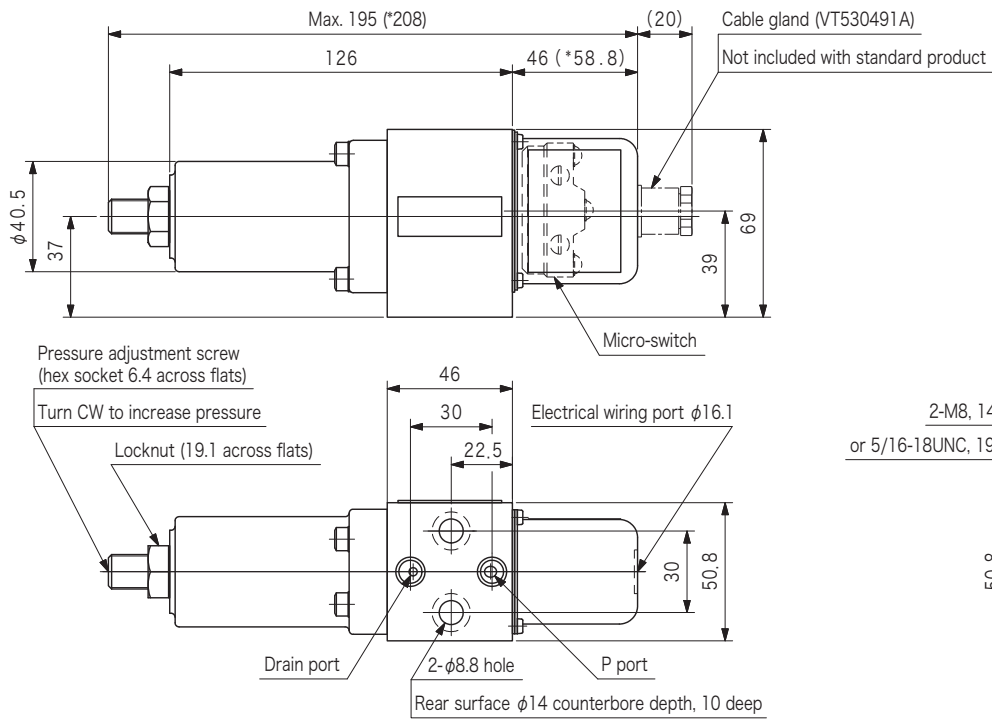
Model Code	Hex Socket Bolt x 2	
	Metric	Unified
SG-3	M8 x 70	5/16-18UNC x 76.2

- Mounting bolts are not included with unit and must be ordered separately.
- Tightening torque of mounting bolts: 27 to 33 N•m

## Subplate

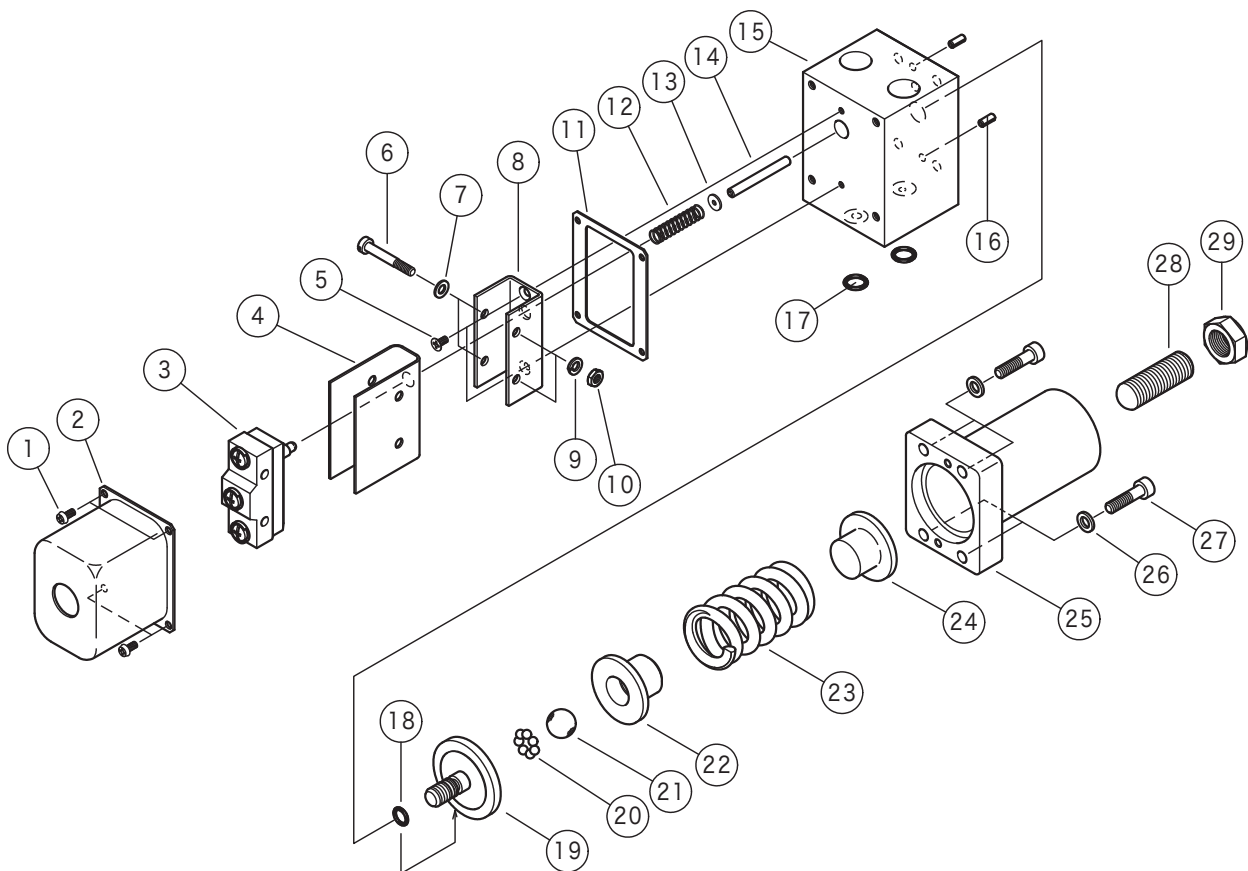
Manifold block mounting (subplate not available).

## Dimensions



Note: \* marked dimensions indicates model LA (with indicator lamp).

## Construction



### O-ring

No.	Part No.	Standard	Qty
17	007901117	AS568-011 (NBR, Hs70)	2
18	007900917	AS568-009 (NBR, Hs70)	1