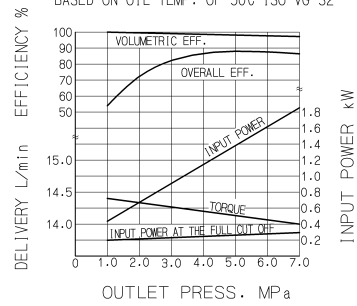


PERFORMANCE CHARACTERISTICS

(1800min⁻¹ INPUT)

BASED ON OIL TEMP. OF 50°C ISO VG 32

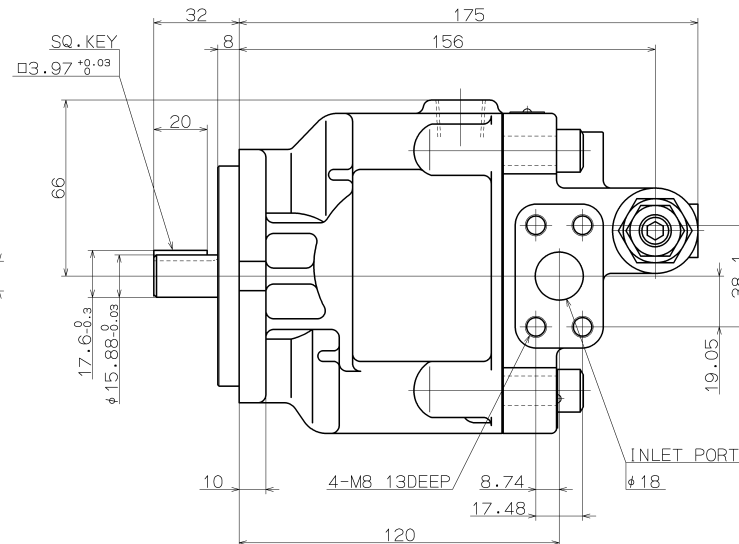
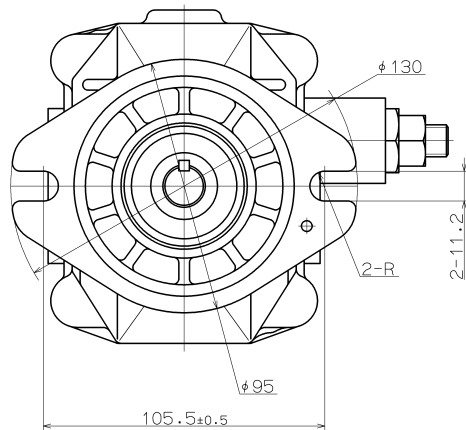
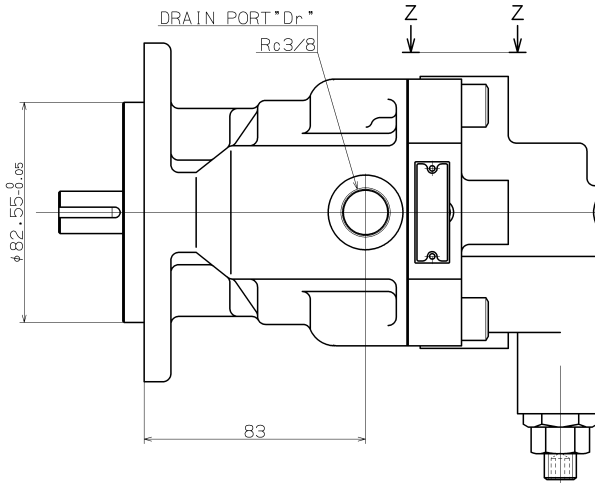
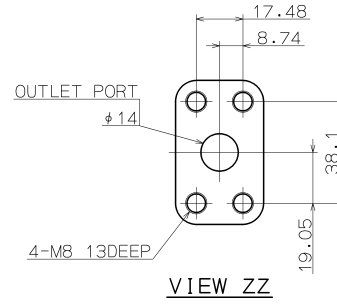


MODEL CODE

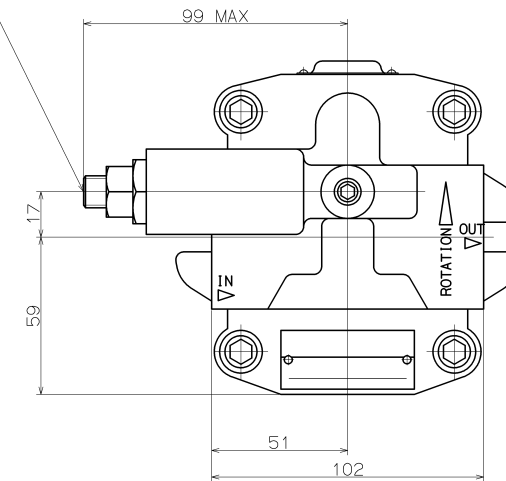
P 8 V M R - 2 0 - C B - 1 0

① ② ③ ④ ⑤

- ① SERIES DESIGNATION
8cm³/rev
- ② ROTATION (VIEWED FROM SHAFT END)
R: CLOCKWISE
- ③ PUMP DESIGN NUMBER
- ④ CONTROL TYPE
CB: PRESSURE COMPENSATOR CONTROL
PRESSURE COMPENSATOR: 1.8~7MPa
- ⑤ CONTROL DESIGN NUMBER



PRESSURE COMPENSATOR
ADJ. SCREW
6 HEX HOLE



- GENERAL DATA
THIS PUMP IS THE AXIAL PISTON TYPE.
THE DISPLACEMENT IS VARIED BY MEANS OF A PRESSURE COMPENSATOR.
- CONTROL DESCRIPTION
PRESSURE COMPENSATOR CONTROL:
THE PRESSURE COMPENSATOR CONTROL AUTOMATICALLY ADJUSTS PUMP DELIVERY TO MAINTAIN VOLUME REQUIREMENTS OF THE SYSTEM AT A PRESELECTED OPERATING PRESSURE. MAX. PUMP DELIVERY IS MAINTAINED TO APPROX. 0.5MPa BELOW THE PRESSURE CONTROL SETTING BEFORE BEING REDUCED.
THE PRESSURE ADJUSTMENT RANGES ARE SHOWN IN THE MODEL CODE INFORMATION.
- INSTALLATION INFORMATION
HORIZONTAL MOUNTING IS RECOMMENDED TO MAINTAIN NECESSARY CASE FLUID LEVEL.
THE CASE DRAIN LINE MUST BE FULL SIZE UNRESTRICTED AND CONNECTED FROM THE UPPERMOST DRAIN PORT DIRECTLY TO RESERVOIR IN SUCH A MANNER THAT THE CASE REMAINS FILLED WITH FLUID.
PIPING OF DRAIN LINE MUST PREVENT SIPHONING.
PIPE DRAIN LINE SO PIPING OF DRAIN LINE MUST PREVENT SIPHONING.
PIPE DRAIN LINES ARE TO BE CONNECTED TO THIS DRAIN LINE.
CAUTION MUST BE EXERCISED TO NEVER EXCEED 35kPa PUMP CASE PRESSURE.
- STARTING
BEFORE STARTING FILL CASE WITH CLEAN SYSTEM FLUID. CASE MUST BE KEPT FULL AT ALL TIMES TO PROVIDE INTERNAL LUBRICATION. WHEN FIRST STARTING, IT MAY BE NECESSARY TO BLEED AIR FROM PUMP OUTLET LINE TO PERMIT PRIMING AND REDUCE NOISE. AN AIRBLEED VALVE IS AVAILABLE FOR THIS PURPOSE.
- FILTRATION
20μm OR LESS IN RETURN LINE AND 150 MESH OR FINER IN INLET LINE ARE RECOMMENDED.

VARIABLE DISPLACEMENT
PISTON PUMP
P8VMR-20-CB-10

日付 DATE	2010-03-11	サイズ SIZE	D
図番 DRAWING NO.	429796190	枚数 SHEET	1/1

KEIKI TOKYO KEIKI CO., LTD. 東京計機株式会社