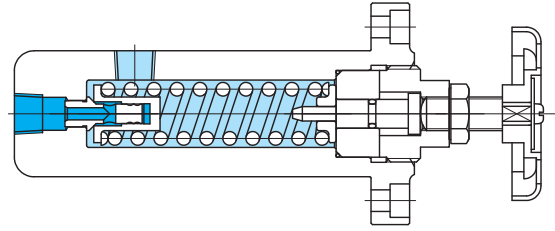
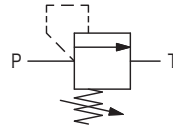


Direct relief valves C-175



- This valve is used to control max. pressure in small flow circuits (standard type).
- S1 type is used for adjustment of main valve setting pressure remotely when connected to remote vent port of relief, reducing, etc., pressure control valves.

Functional Symbol



Model Code

(F3)-C-175-B-11-JA-(S1)-J



- 1 Hydraulic fluid
Omit: mineral oil based fluid, water-glycol based fluid
F3: phosphate ester fluid
- 2 Direct relief valve (threaded type)
- 3 Pressure adjustment range
Refer to "Specifications".

- 4 Design no.
- 5 Special feature
S1: Remote operation type (rated flow 1.7 L/min)

Specifications

Model Code	Size	Max. Working Pressure MPa	Rated Flow L/min	Pressure Adjustment Ranges		Weight kg
				Code	MPa	
C-175	02	21	* 11	B	0.5~7	2
				C	3.5~14	
				F	10.5~21	

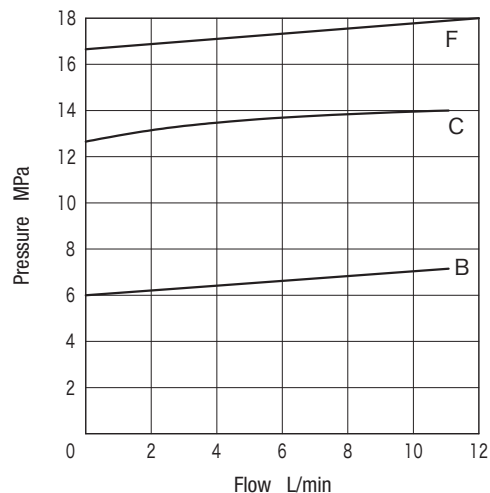
* Rated flow of S1 is 1.7 L/min.

Notes on Operation

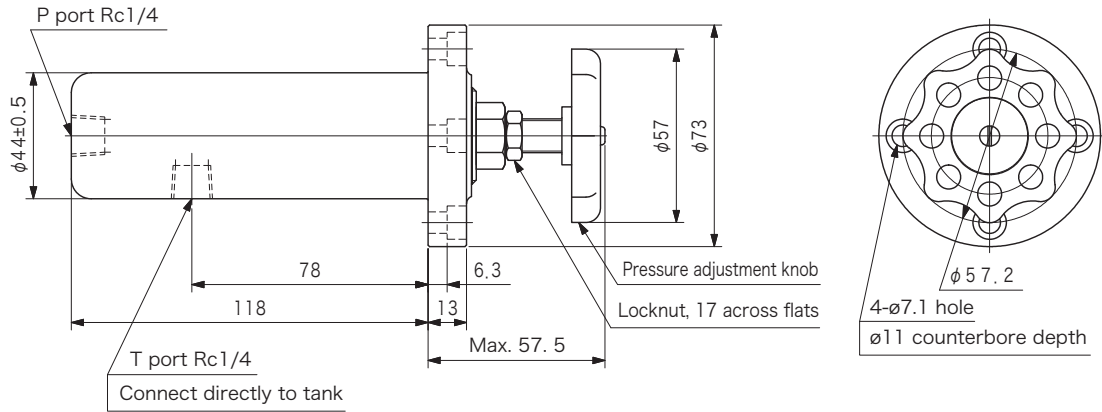
- Do not connect piping of tank port and piping of other tanks, each should be directly returned to tank. Ensure that end of the piping is always below the fluid level.
- Loosen the lock nut and turn handle clockwise to increase the setting pressure and counterclockwise to decrease the setting pressure.
- If pressure adjustment handle is tightened too much, circuit pressure will become setting pressure of main valve (S1 type).
- In the case of type S1, beware that if piping to main valve is long resulting in large internal displacement, pressure control may become unstable.

Characteristics Curve (at 20 mm²/s) (typical examples)

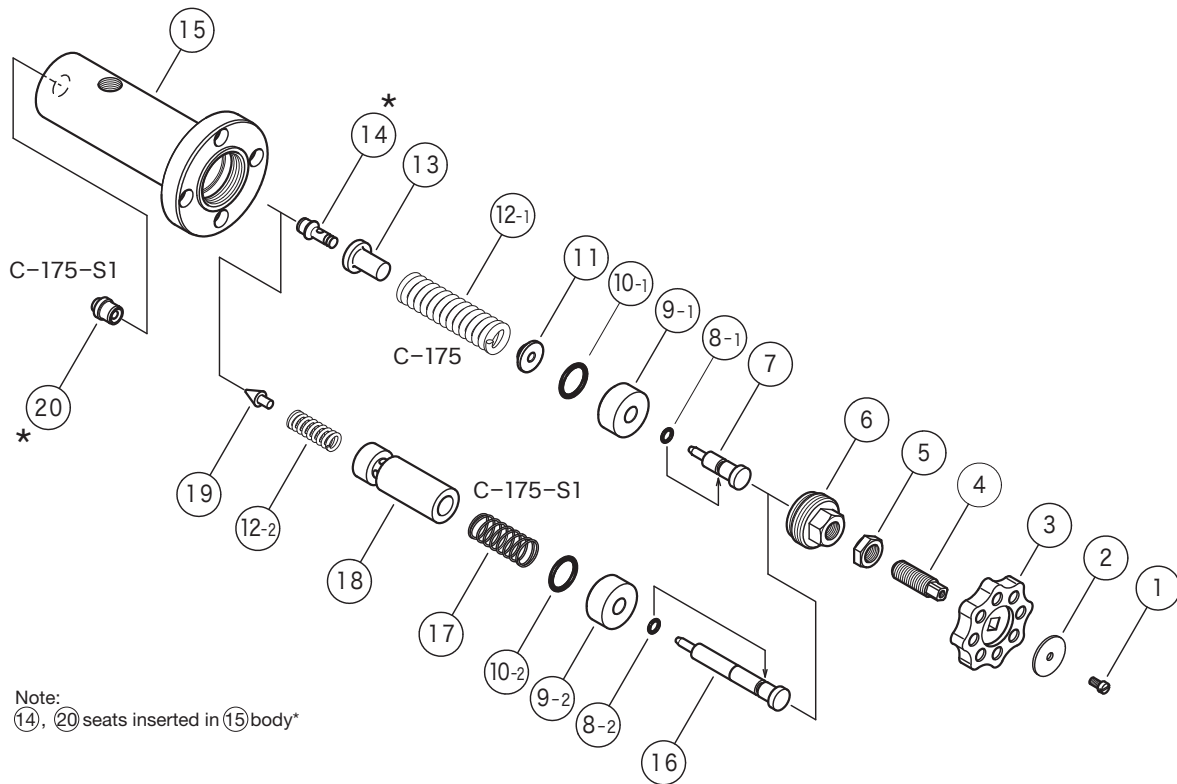
● Flow-Pressure Characteristics



Dimensions



Construction



⑫ Spring

No.	C-175	C-175-S1
	Part No.	Part No.
B	VP152609	VP2280
C	VA4861	VP2282
F	VA4763	VP2281

O-ring

No.	Part No.	Standard	Qty
8	007901017	AS568-010 (NBR, Hs70)	1
10	VP153999	—	1